

Rear trunnion - Mod. C

Product code: C-3E-32

Datasheet creation date: 07/03/2025 15:38

Check the most updated document online [click here](#)

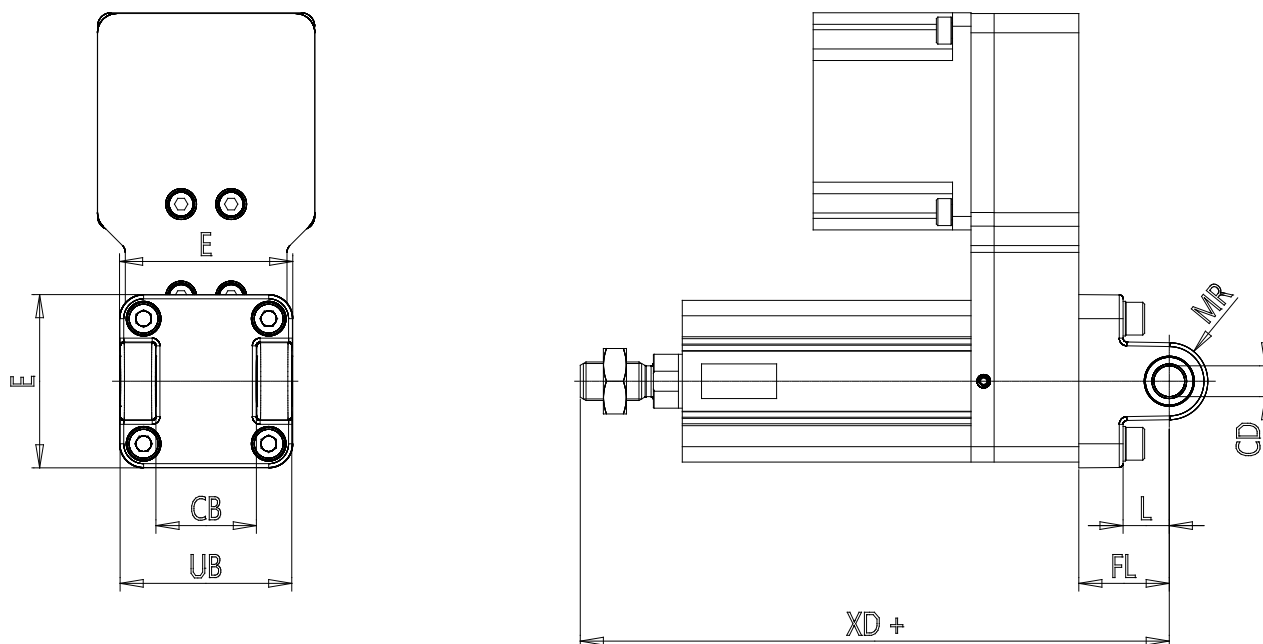


TECHNICAL DATA

Mod.	C-3E-32
------	---------

Rear trunnion - Mod. C

Product code: C-3E-32



DIMENSIONS

CD (mm)	10
L (mm)	13
FL (mm)	22
XD (mm)	212
MR (mm)	10
F (mm)	32.5
E (mm)	46
CB (mm)	26
UB (mm)	45