

## Mounting accessories - Mod. C-CGP

Product code: C-CGP-20

Datasheet creation date: 07/03/2025 16:10

Check the most updated document online [click here](#)

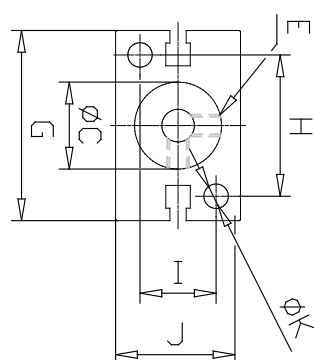
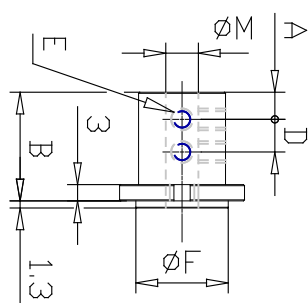


### ■ TECHNICAL DATA

Mod. (mm)	C-CGP-20
-----------	----------

## Mounting accessories - Mod. C-CGP

Product code: C-CGP-20



### DIMENSIONS

<b>A (mm)</b>	7
<b>B (mm)</b>	25.5
<b>C (mm)</b>	20
<b>D (mm)</b>	7
<b>E</b>	M4
<b>F (mm)</b>	21
<b>G (mm)</b>	46
<b>H (mm)</b>	35
<b>I (mm)</b>	16
<b>J (mm)</b>	27
<b>K (mm)</b>	5.5
<b>M (mm)</b>	8