

Mounting accessories - Mod. C-CGP

Product code: C-CGP-32

Datasheet creation date: 07/03/2025 16:10

Check the most updated document online [click here](#)

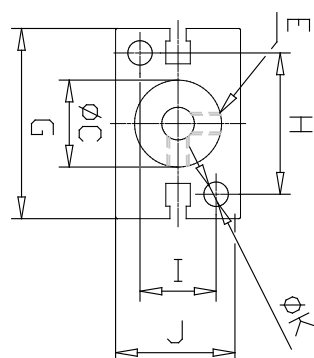
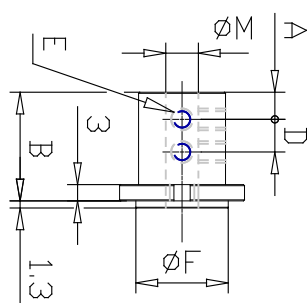


■ TECHNICAL DATA

Mod. (mm)	C-CGP-32
-----------	----------

Mounting accessories - Mod. C-CGP

Product code: C-CGP-32



DIMENSIONS

A (mm)	10
B (mm)	40.5
C (mm)	32
D (mm)	15
E	M4
F (mm)	34
G (mm)	61
H (mm)	46
I (mm)	26
J (mm)	41
K (mm)	6.6
M (mm)	12