

## Front and rear female trunnion - Mod. C-H

Product code: C-H-41-200

Datasheet creation date: 07/03/2025 15:58

Check the most updated document online [click here](#)

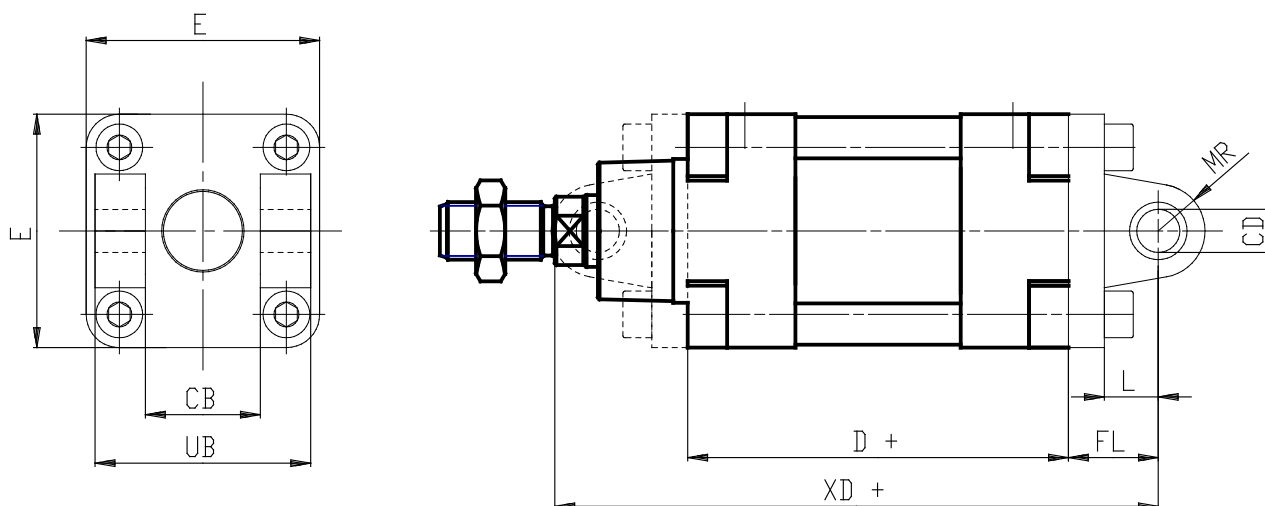


### TECHNICAL DATA

Mod.	C-H-41-200
------	------------

## Front and rear female trunnion - Mod. C-H

Product code: C-H-41-200



### DIMENSIONS

<b>Ø CD H9 (mm)</b>	30
<b>L (mm)</b>	35
<b>FL (mm)</b>	60
<b>D (mm)</b>	180
<b>XD (mm)</b>	335
<b>MR (mm)</b>	25
<b>E (mm)</b>	220
<b>CB H14 (mm)</b>	90
<b>UB h14 (mm)</b>	169