

Mounting bracket Mod. C114-ST/2 - Series MC-M-N

Product code: C114-ST/2

Datasheet creation date: 10/03/2025 10:43

Check the most updated document online [click here](#)

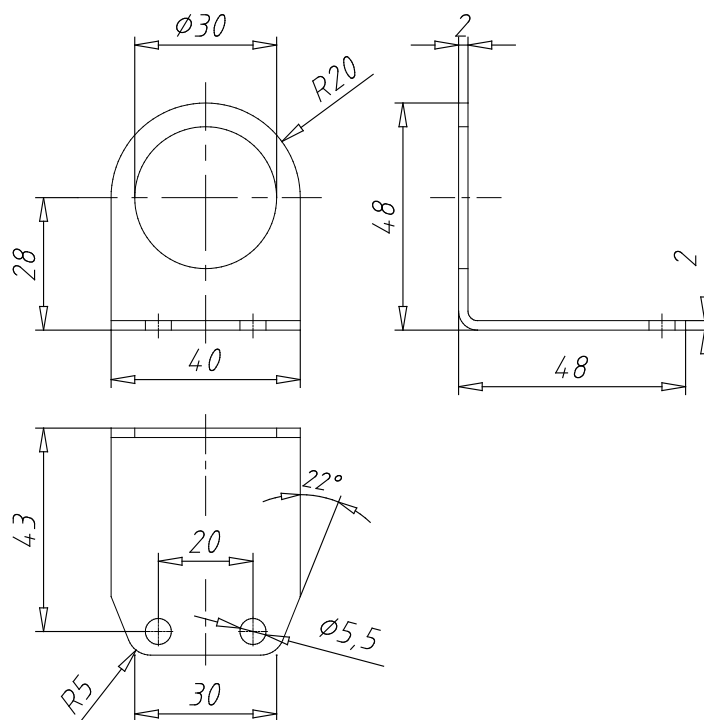


■ TECHNICAL DATA

Mod.	C114-ST/2
------	-----------

Mounting bracket Mod. C114-ST/2 - Series MC-M-N

Product code: C114-ST/2



DIMENSIONS

Mod.	C114-ST/2
------	-----------