

Mod. C6440 - Series 6000 fittings

Product code: C6440 10-1/4

Datasheet creation date: 10/03/2025 09:25

Check the most updated document online [click here](#)

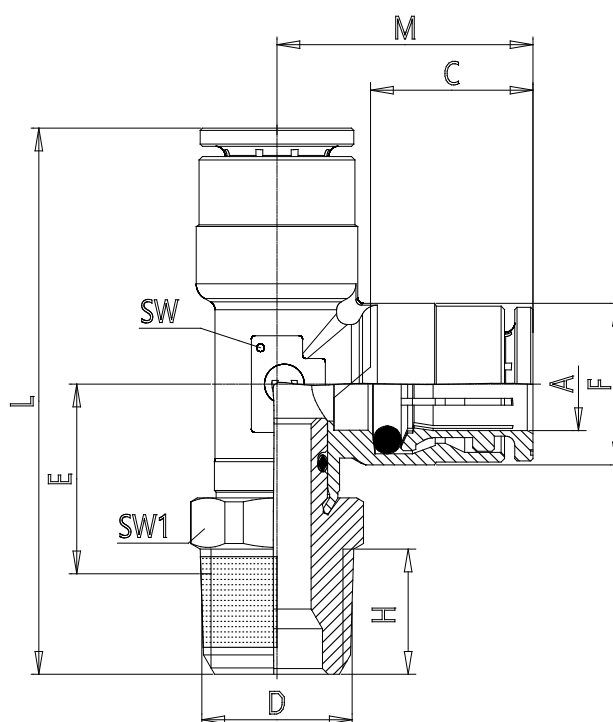


TECHNICAL DATA

Mod.	C6440 10-1/4
------	--------------

Mod. C6440 - Series 6000 fittings

Product code: C6440 10-1/4



DIMENSIONS

A (mm)	10
D	R1/4
C (mm)	20.2
E (mm)	19.0
F (mm)	15.4
H (mm)	11.0
L (mm)	54.0
M (mm)	26.0
SW (mm)	13
SW1 (mm)	14
Weight (g)	59