

## Mod. C6510 - Series 6000 fittings

Product code: C6510 16-1/2

Datasheet creation date: 10/03/2025 09:28

Check the most updated document online [click here](#)

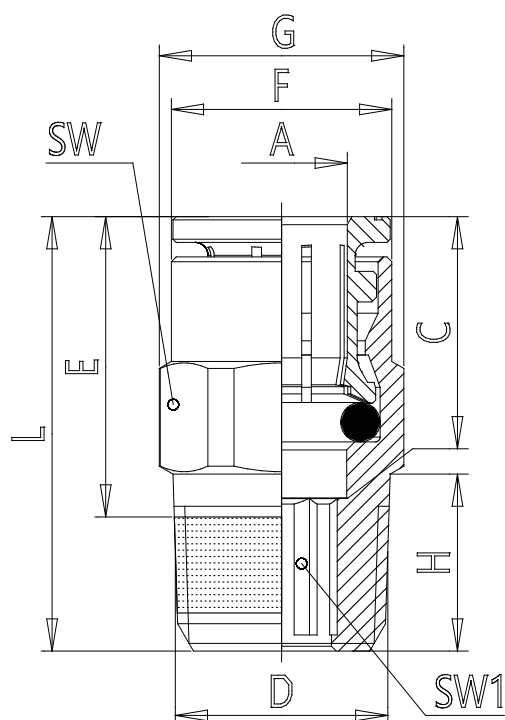


### TECHNICAL DATA

Mod.	C6510 16-1/2
------	--------------

## Mod. C6510 - Series 6000 fittings

Product code: C6510 16-1/2



### DIMENSIONS

<b>A (mm)</b>	16
<b>D (mm)</b>	R1/2
<b>C (mm)</b>	23.0
<b>(mm)</b>	28.0
<b>F (mm)</b>	23.5
<b>G (mm)</b>	26.5
<b>H (mm)</b>	14.0
<b>L (mm)</b>	39.0
<b>SW (mm)</b>	24
<b>SW1 (mm)</b>	12.0
<b>Weight (g)</b>	51