

## Mod. C6510 - Series 6000 fittings

Product code: C6510 6-1/4

Datasheet creation date: 10/03/2025 09:28

Check the most updated document online [click here](#)

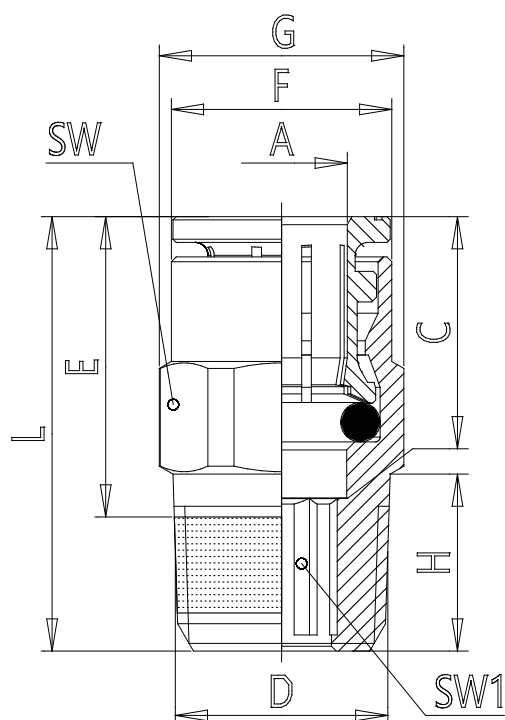


### ■ TECHNICAL DATA

|      |             |
|------|-------------|
| Mod. | C6510 6-1/4 |
|------|-------------|

## Mod. C6510 - Series 6000 fittings

Product code: C6510 6-1/4



### DIMENSIONS

|                   |      |
|-------------------|------|
| <b>A (mm)</b>     | 6    |
| <b>D (mm)</b>     | R1/4 |
| <b>C (mm)</b>     | 16.0 |
| <b>(mm)</b>       | 15.5 |
| <b>F (mm)</b>     | 11.7 |
| <b>G (mm)</b>     | 15.2 |
| <b>H (mm)</b>     | 11.0 |
| <b>L (mm)</b>     | 24.5 |
| <b>SW (mm)</b>    | 14   |
| <b>SW1 (mm)</b>   | 4.0  |
| <b>Weight (g)</b> | 15   |