

Mod. C6510 - Series 6000 fittings

Product code: C6510 6-1/8

Datasheet creation date: 10/03/2025 09:28

Check the most updated document online [click here](#)

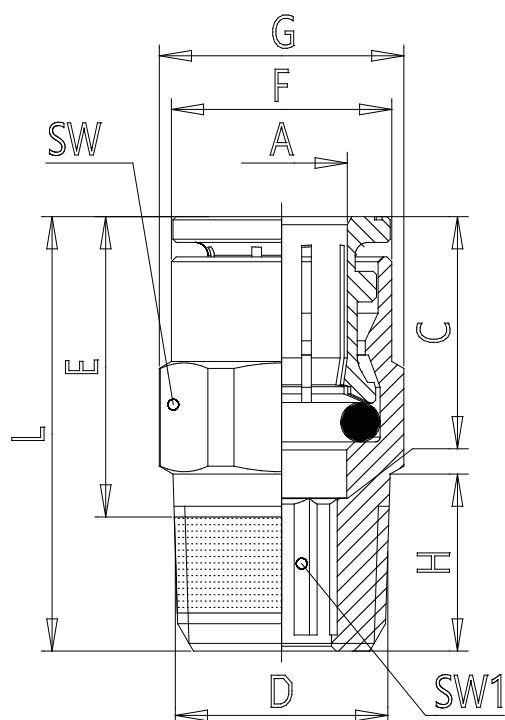


■ TECHNICAL DATA

Mod.	C6510 6-1/8
------	-------------

Mod. C6510 - Series 6000 fittings

Product code: C6510 6-1/8



DIMENSIONS

A (mm)	6
D (mm)	R1/8
C (mm)	16.0
(mm)	16.2
F (mm)	11.7
G (mm)	13.2
H (mm)	7.5
L (mm)	22.0
SW (mm)	12
SW1 (mm)	4.0
Weight (g)	12