

Direct acting solenoid valves - Series CFB

Product code: CFB-A23L-R1-B72

Datasheet creation date: 10/03/2025 11:49

Check the most updated document online [click here](#)

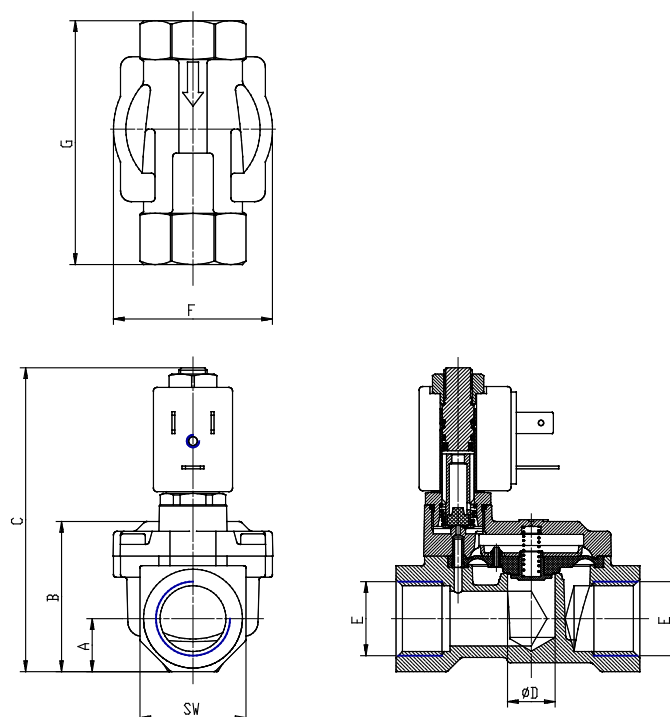


TECHNICAL DATA

Series	CFB
Operation	A = indirect
Number of ways - position	2 = 2/2 way - NC
Connection	3 = G3/8
Nominal diameter	L = 11.5 mm
Diaphragm material	R = NBR
Body material	1= brass
Dimension solenoid	B7 = 22mm
Solenoid voltage	2 = 12V DC

Direct acting solenoid valves - Series CFB

Product code: CFB-A23L-R1-B72



DIMENSIONS

Series	CFB
Operation	A = indirect
Number of ways - position	2 = 2/2 way - NC
Connection	3 = G3/8
Nominal diameter	L = 11.5 mm
Diaphragm material	R = NBR
Body material	1= brass
Dimension solenoid	B7 = 22mm
Solenoid voltage	2 = 12V DC