

Direct acting solenoid valves - Series CFB

Product code: CFB-A24N-R1-B7B

Datasheet creation date: 10/03/2025 11:49

Check the most updated document online [click here](#)

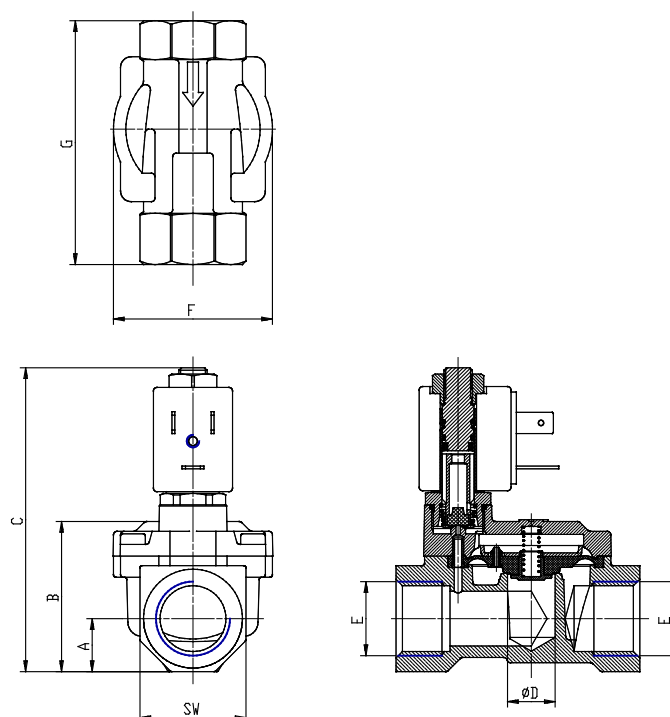


TECHNICAL DATA

Series	CFB
Operation	A = indirect
Number of ways - position	2 = 2/2 way - NC
Connection	4 = G1/2
Nominal diameter	N = 13.5 mm
Diaphragm material	R = NBR
Body material	1= brass
Dimension solenoid	B7 = 22mm
Solenoid voltage	B = 24V AC 50/60 Hz

Direct acting solenoid valves - Series CFB

Product code: CFB-A24N-R1-B7B



DIMENSIONS

Series	CFB
Operation	A = indirect
Number of ways - position	2 = 2/2 way - NC
Connection	4 = G1/2
Nominal diameter	N = 13.5 mm
Diaphragm material	R = NBR
Body material	1= brass
Dimension solenoid	B7 = 22mm
Solenoid voltage	B = 24V AC 50/60 Hz