

Direct acting solenoid valves - Series CFB

Product code: CFB-A25P-R1-B7E

Datasheet creation date: 10/03/2025 11:49

Check the most updated document online [click here](#)

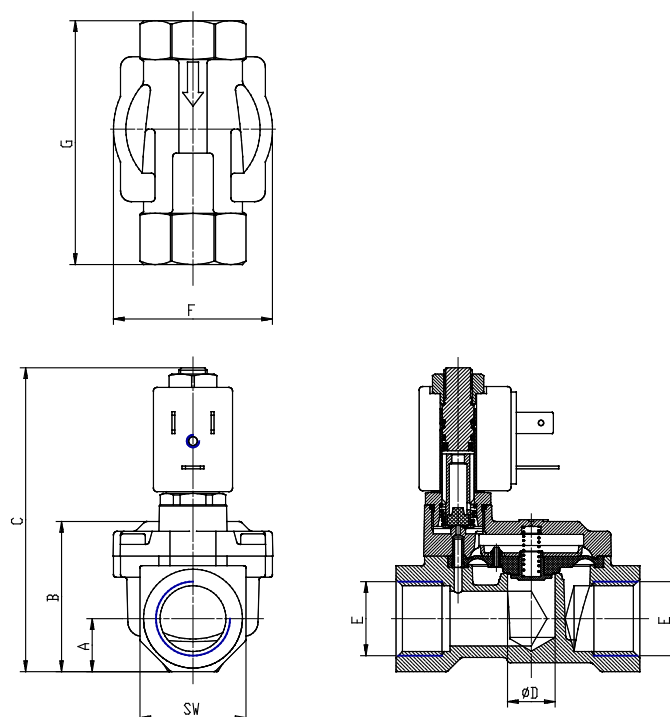


TECHNICAL DATA

Series	CFB
Operation	A = indirect
Number of ways - position	2 = 2/2 way - NC
Connection	5 = G3/4
Nominal diameter	P = 18 mm
Diaphragm material	R = NBR
Body material	1= brass
Dimension solenoid	B7 = 22mm
Solenoid voltage	E = 230V AC 50/60 Hz

Direct acting solenoid valves - Series CFB

Product code: CFB-A25P-R1-B7E



DIMENSIONS

Series	CFB
Operation	A = indirect
Number of ways - position	2 = 2/2 way - NC
Connection	5 = G3/4
Nominal diameter	P = 18 mm
Diaphragm material	R = NBR
Body material	1= brass
Dimension solenoid	B7 = 22mm
Solenoid voltage	E = 230V AC 50/60 Hz