

Direct acting solenoid valves - Series CFB

Product code: CFB-A29Z-R1-B8B

Datasheet creation date: 10/03/2025 11:49

Check the most updated document online [click here](#)

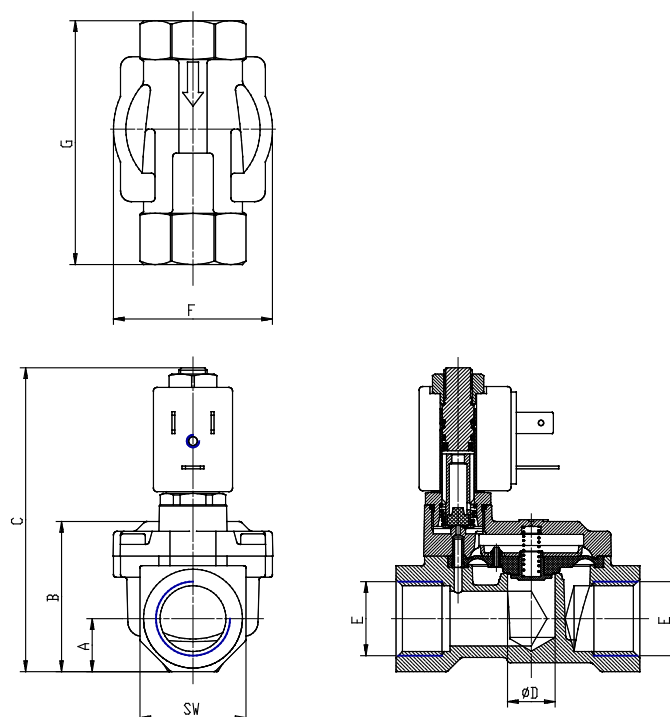


TECHNICAL DATA

Series	CFB
Operation	A = indirect
Number of ways - position	2 = 2/2 way - NC
Connection	9 = G2
Nominal diameter	Z = 50 mm
Diaphragm material	R = NBR
Body material	1= brass
Dimension solenoid	B8 = 30mm
Solenoid voltage	B = 24V AC 50/60 Hz

Direct acting solenoid valves - Series CFB

Product code: CFB-A29Z-R1-B8B



DIMENSIONS

Series	CFB
Operation	A = indirect
Number of ways - position	2 = 2/2 way - NC
Connection	9 = G2
Nominal diameter	Z = 50 mm
Diaphragm material	R = NBR
Body material	1= brass
Dimension solenoid	B8 = 30mm
Solenoid voltage	B = 24V AC 50/60 Hz