

Direct acting solenoid valves - Series CFB

Product code: CFB-D21C-W1-B83

Datasheet creation date: 10/03/2025 11:48

Check the most updated document online [click here](#)

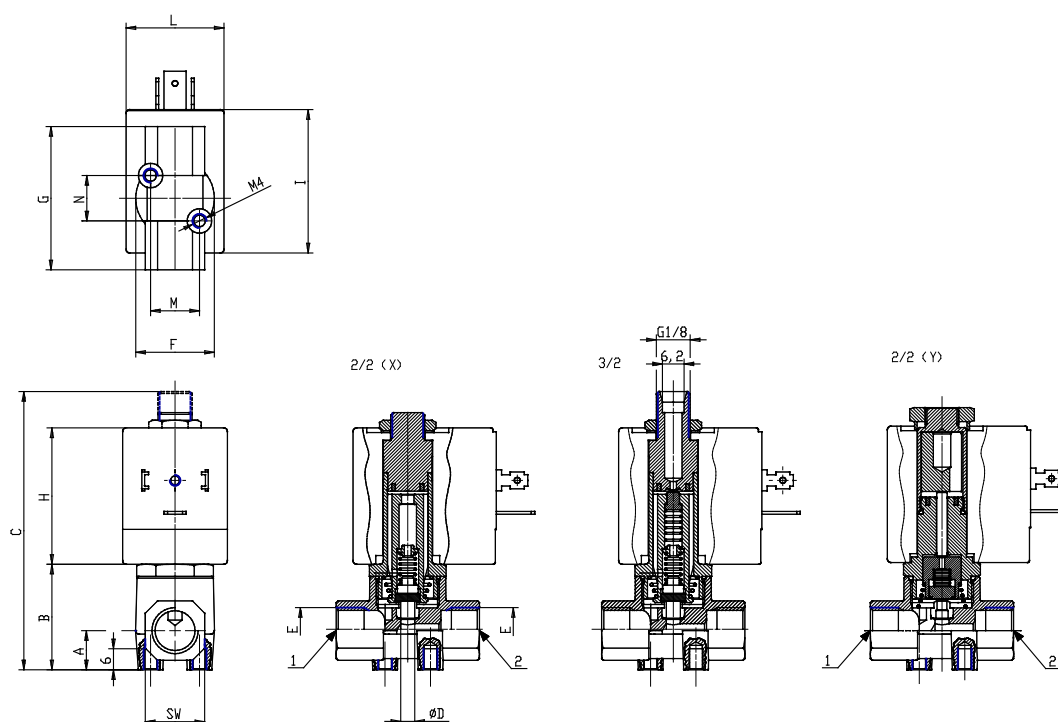


TECHNICAL DATA

Series	CFB
Operation	D = direct
Number of ways - position	2 = 2/2 way - NC
Connection	1 = G1/8
Nominal diameter	C = 2.5 mm
Diaphragm material	W = FKM
Body material	1= brass
Dimension solenoid	B8 = 30mm
Solenoid voltage	3 = 24V DC

Direct acting solenoid valves - Series CFB

Product code: CFB-D21C-W1-B83



DIMENSIONS

Series	CFB
Operation	D = direct
Number of ways - position	2 = 2/2 way - NC
Connection	1 = G1/8
Nominal diameter	C = 2.5 mm
Diaphragm material	W = FKM
Body material	1= brass
Dimension solenoid	B8 = 30mm
Solenoid voltage	3 = 24V DC