

Direct acting solenoid valves - Series CFB

Product code: CFB-D32A-W1-B83

Datasheet creation date: 10/03/2025 11:49

Check the most updated document online [click here](#)

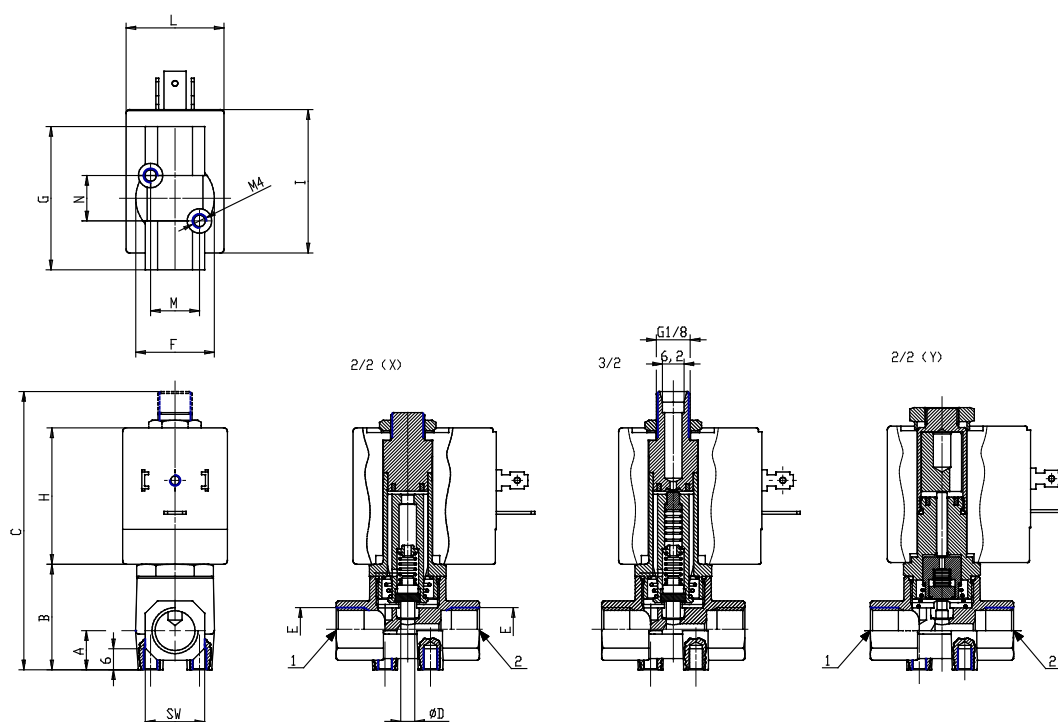


TECHNICAL DATA

Series	CFB
Operation	D = direct
Number of ways - position	3 = 3/2 way - NC
Connection	2 = G1/4
Nominal diameter	A = 1.4 mm
Diaphragm material	W = FKM
Body material	1= brass
Dimension solenoid	B8 = 30mm
Solenoid voltage	3 = 24V DC

Direct acting solenoid valves - Series CFB

Product code: CFB-D32A-W1-B83



DIMENSIONS

Series	CFB
Operation	D = direct
Number of ways - position	3 = 3/2 way - NC
Connection	2 = G1/4
Nominal diameter	A = 1.4 mm
Diaphragm material	W = FKM
Body material	1= brass
Dimension solenoid	B8 = 30mm
Solenoid voltage	3 = 24V DC