

Direct acting solenoid valves - Series CFB

Product code: CFB-D32A-W1-B8D

Datasheet creation date: 10/03/2025 11:49

Check the most updated document online [click here](#)

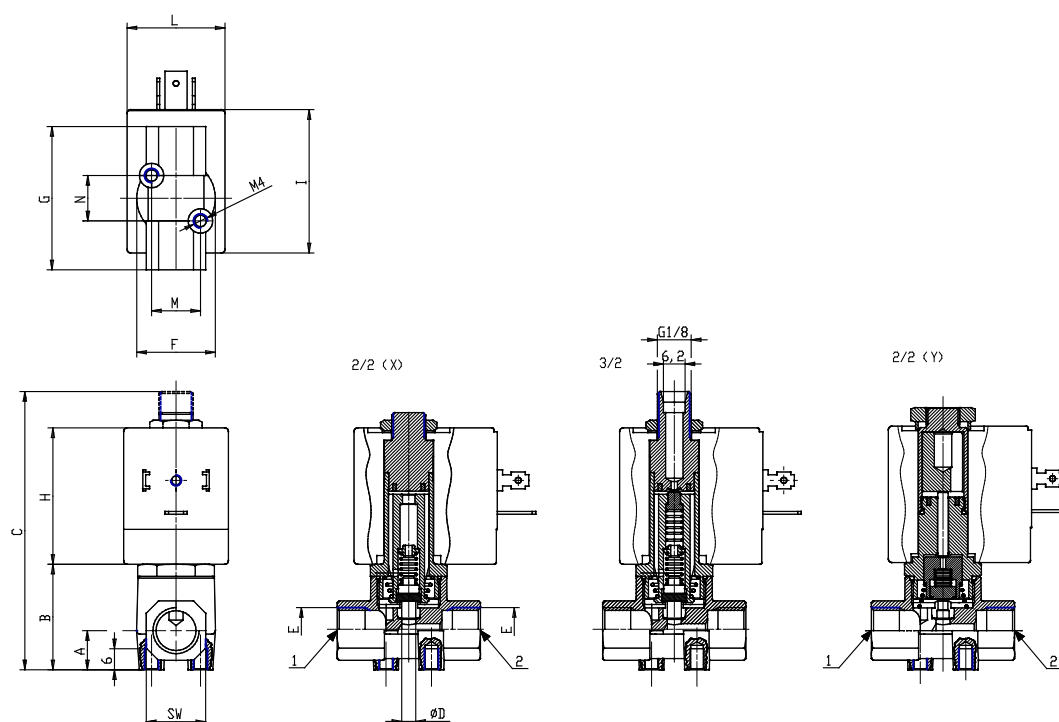


TECHNICAL DATA

| | |
|----------------------------------|-------------------|
| Series | CFB |
| Operation | D = direct |
| Number of ways - position | 3 = 3/2 way - NC |
| Connection | 2 = G1/4 |
| Nominal diameter | A = 1.4 mm |
| Diaphragm material | W = FKM |
| Body material | 1= brass |
| Dimension solenoid | B8 = 30mm |
| Solenoid voltage | D = 110V AC 60 Hz |

Direct acting solenoid valves - Series CFB

Product code: CFB-D32A-W1-B8D



DIMENSIONS

| | |
|----------------------------------|-------------------|
| Series | CFB |
| Operation | D = direct |
| Number of ways - position | 3 = 3/2 way - NC |
| Connection | 2 = G1/4 |
| Nominal diameter | A = 1.4 mm |
| Diaphragm material | W = FKM |
| Body material | 1= brass |
| Dimension solenoid | B8 = 30mm |
| Solenoid voltage | D = 110V AC 60 Hz |