

Angular grippers - Series CGAN

Product code: CGAN-10

Datasheet creation date: 10/03/2025 02:30

Check the most updated document online [click here](#)

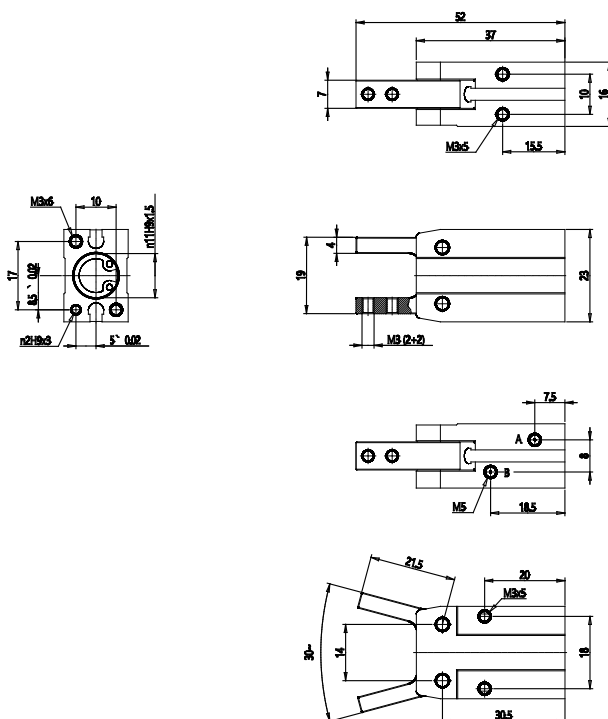


TECHNICAL DATA

Series	CGAN
Size	10 = Ø10 mm
Version	= Standard
Stroke (mm)	2.5

Angular grippers - Series CGAN

Product code: CGAN-10



DIMENSIONS

Series	CGAN
Size	10 = Ø10 mm
Version	= Standard
Stroke (mm)	2.5