

Three-jaw clamps - Series CGCN

Product code: CGCN-100

Datasheet creation date: 10/03/2025 02:31

Check the most updated document online [click here](#)

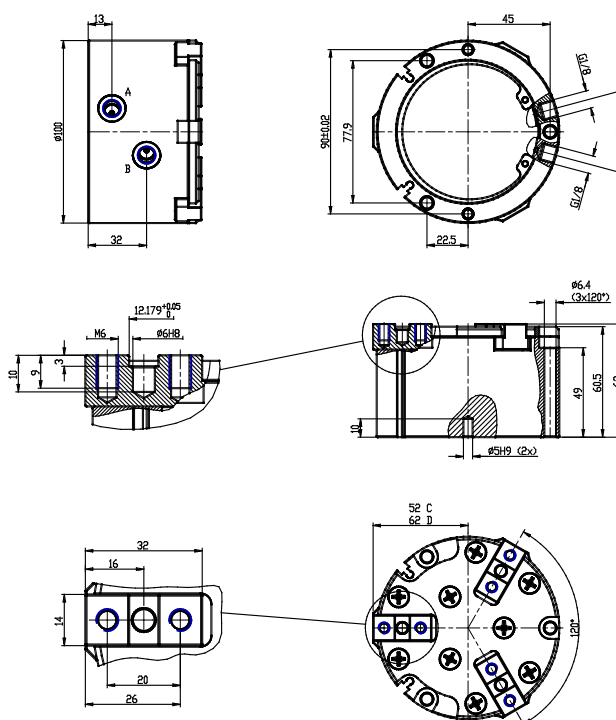


TECHNICAL DATA

Series	CGCN
Size	100
Atex	= standard

Three-jaw clamps - Series CGCN

Product code: CGCN-100



DIMENSIONS

Series	CGCN
Size	100
Atex	= standard
Stroke (mm)	10