

Self-centering grippers with T guide - Series CGPT

Product code: CGPT-32-W

Datasheet creation date: 10/03/2025 02:35

Check the most updated document online [click here](#)

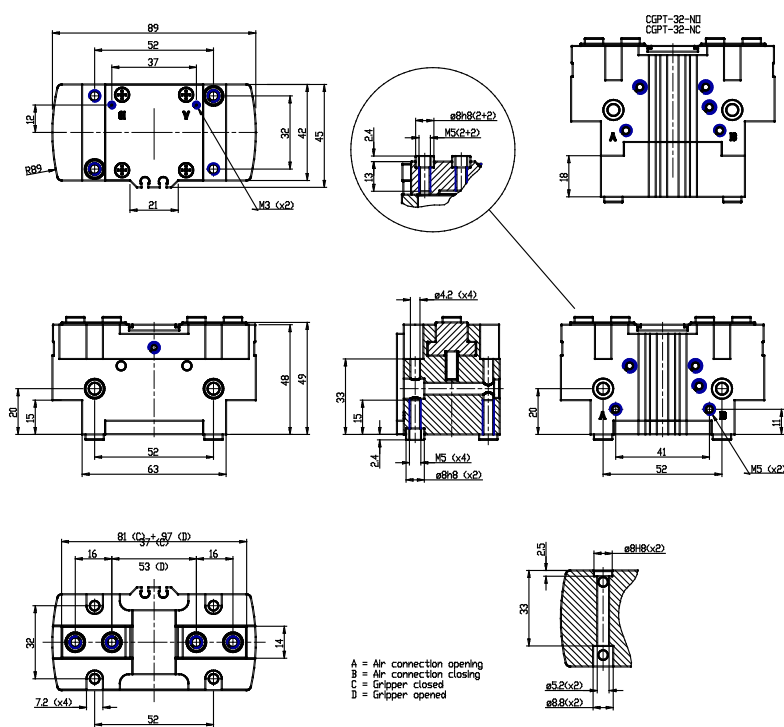


TECHNICAL DATA

Series	CGPT
(mm)	32
Function	= double effect
Version	W = high temperatures (150 °C) - not magnetic
Option	= none

Self-centering grippers with T guide - Series CGPT

Product code: CGPT-32-W



DIMENSIONS

Series	CGPT
(mm)	32
Function	= double effect
Version	W = high temperatures (150 °C) - not magnetic
Option	= none