

## Three-jaw clamps - Series CGZT

Product code: CGZT-080-NC

Datasheet creation date: 10/03/2025 02:38

Check the most updated document online [click here](#)

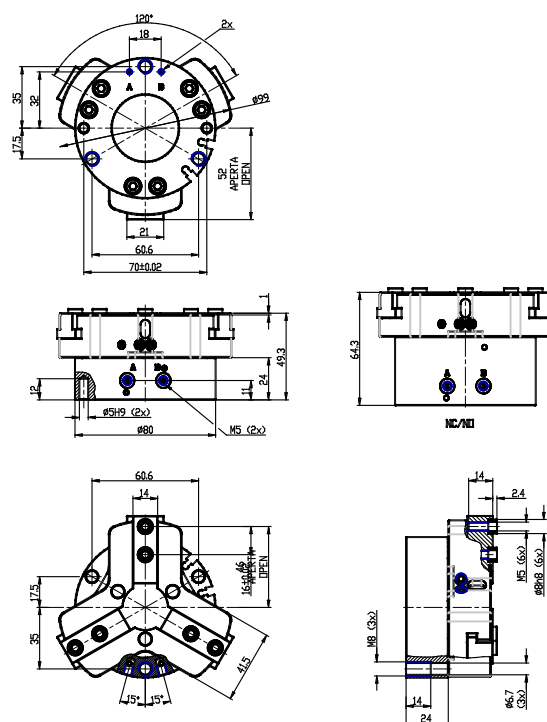


### TECHNICAL DATA

<b>Series</b>	CGZT
<b>Bore</b>	080
<b>Operation</b>	NC= simple acting normally closed
<b>Version</b>	= standard
<b>Atex</b>	= standard

## Three-jaw clamps - Series CGZT

Product code: CGZT-080-NC



### DIMENSIONS

<b>Series</b>	CGZT
<b>Bore</b>	080
<b>Operation</b>	NC= simple acting normally closed
<b>Version</b>	= standard
<b>Atex</b>	= standard