

Three-jaw clamps - Series CGZT

Product code: CGZT-160-NO

Datasheet creation date: 10/03/2025 02:37

Check the most updated document online [click here](#)

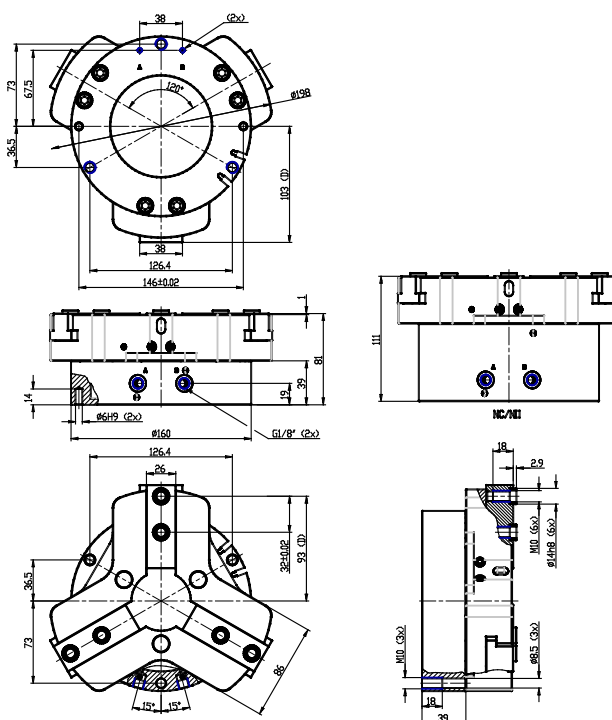


TECHNICAL DATA

Series	CGZT
Bore	160
Operation	NO= simple acting normally opened
Version	= standard
Atex	= standard

Three-jaw clamps - Series CGZT

Product code: CGZT-160-NO



DIMENSIONS

Series	CGZT
Bore	160
Operation	NO= simple acting normally opened
Version	= standard
Atex	= standard