

## Micro pressure regulators - Series CLR

Product code: CLR 1/4-01-6

Datasheet creation date: 10/03/2025 00:43

Check the most updated document online [click here](#)

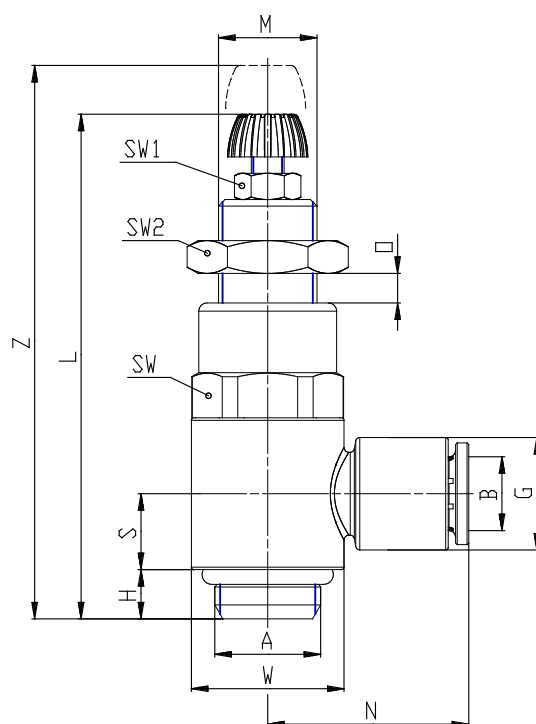


### TECHNICAL DATA

Mod.	CLR 1/4-01-6
------	--------------

## Micro pressure regulators - Series CLR

Product code: CLR 1/4-01-6



### **DIMENSIONS**

<b>Mod.</b>	CLR 1/4-01-6
-------------	--------------