

## Micro pressure regulators - Series CLR

Product code: CLR 1/4-8

Datasheet creation date: 10/03/2025 00:43

Check the most updated document online [click here](#)

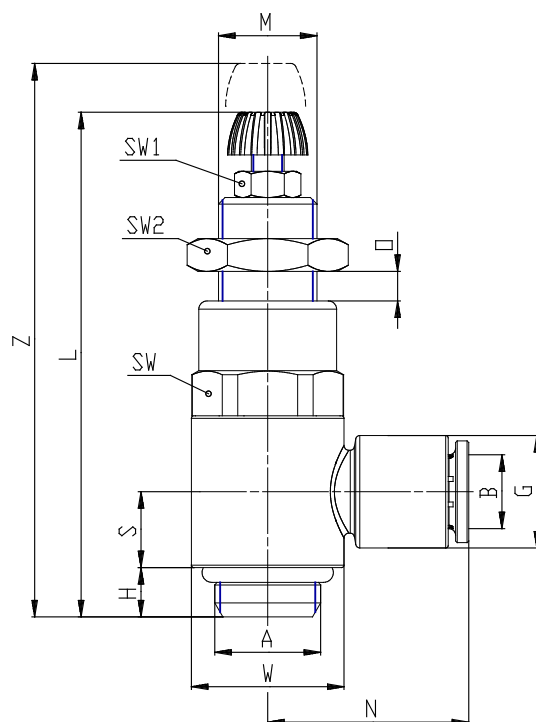


### TECHNICAL DATA

Mod.	CLR 1/4-8
------	-----------

## Micro pressure regulators - Series CLR

Product code: CLR 1/4-8



### DIMENSIONS

Mod.	CLR 1/4-8
------	-----------