

## Micro pressure regulators without banjo - Series CLR

Product code: CLR 1/4

Datasheet creation date: 10/03/2025 00:43

Check the most updated document online [click here](#)

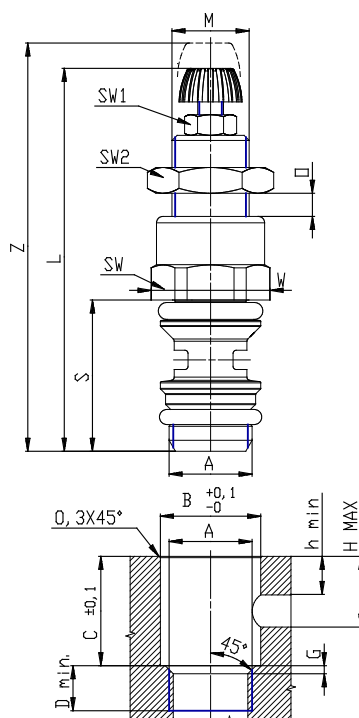


### TECHNICAL DATA

Mod.	CLR 1/4
Stroke (mm)	62.0
L (mm)	59.5
O (mm)	2
Z (mm)	68.0

## Micro pressure regulators without banjo - Series CLR

Product code: CLR 1/4



### DIMENSIONS

<b>A</b>	G1/4
<b>B (mm)</b>	15.65
<b>C (mm)</b>	18.5
<b>D (mm)</b>	7
<b>G (mm)</b>	1.3
<b>h min (mm)</b>	7.0
<b>h max (mm)</b>	12
<b>L (mm)</b>	59.5
<b>M (mm)</b>	M12X1
<b>O (mm)</b>	2
<b>heavy (mm)</b>	24.50
<b>W (mm)</b>	18.5
<b>SW (mm)</b>	17
<b>SW1 (mm)</b>	7
<b>SW2 (mm)</b>	17
<b>Z (mm)</b>	68.0