

Micro pressure regulators without banjo - Series CLR

Product code: CLR 1/8

Datasheet creation date: 10/03/2025 00:43

Check the most updated document online [click here](#)

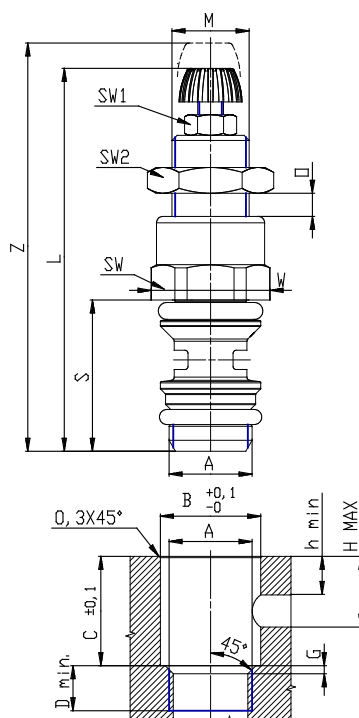


TECHNICAL DATA

Mod.	CLR 1/8
Stroke (mm)	55.0
L (mm)	52.0
O (mm)	2
Z (mm)	59.0

Micro pressure regulators without banjo - Series CLR

Product code: CLR 1/8



DIMENSIONS

A	G1/8
B (mm)	11.00
C (mm)	15.5
D (mm)	6
G (mm)	1.0
h min (mm)	5.5
h max (mm)	10
L (mm)	52.0
M (mm)	M11X1
O (mm)	2
heavy (mm)	20.50
W (mm)	15.2
SW (mm)	14
SW1 (mm)	7
SW2 (mm)	14
Z (mm)	59.0