

Terminal plates for supplementary intermediate - Series 3

Product code: CNVL-3P

Datasheet creation date: 20/05/2026 06:50

Check the most updated document online [click here](#)

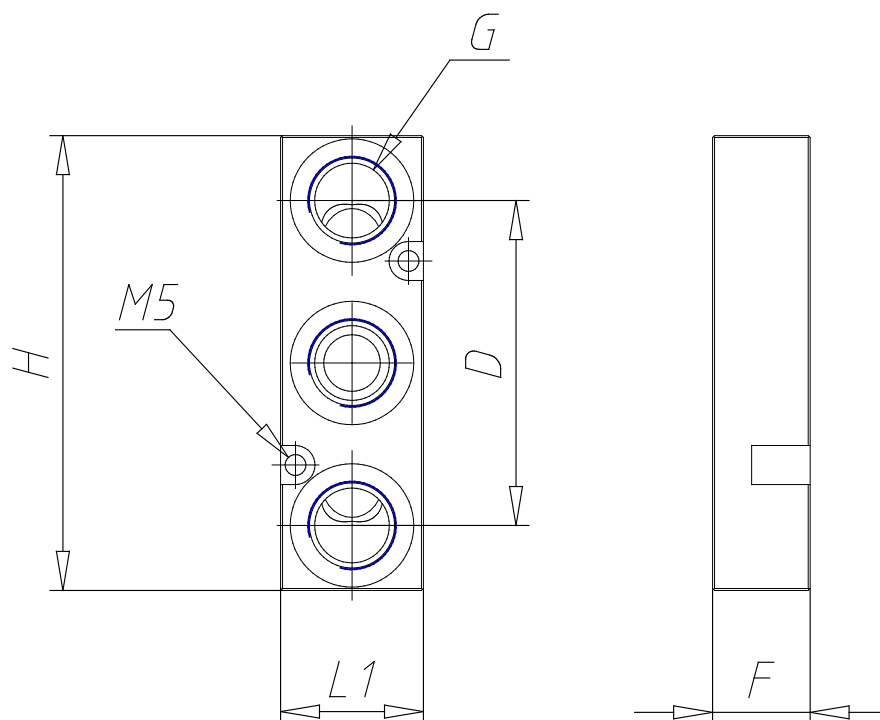


■ TECHNICAL DATA

Mod.	CNVL-3P
------	---------

Terminal plates for supplementary intermediate - Series 3

Product code: CNVL-3P



DIMENSIONS

G	G1/4
H (mm)	70
M (mm)	3.2
F (mm)	20
L1 (mm)	22
D (mm)	50
F1 (mm)	15