

Blanking plate for manifolds - Series 4

Product code: CNVL/2

Datasheet creation date: 07/03/2025 16:14

Check the most updated document online [click here](#)

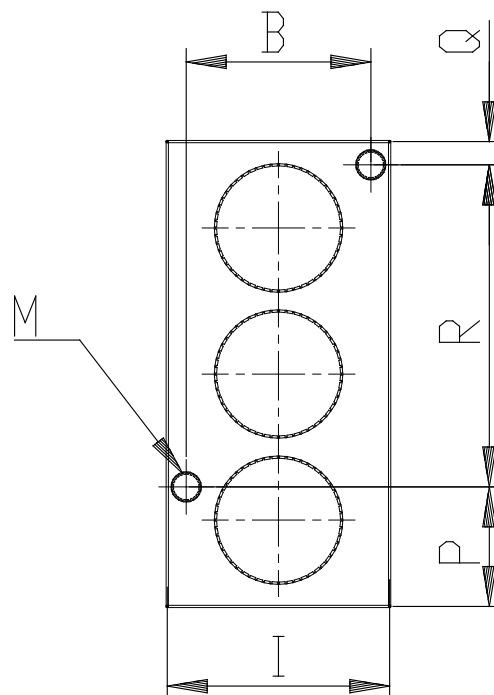
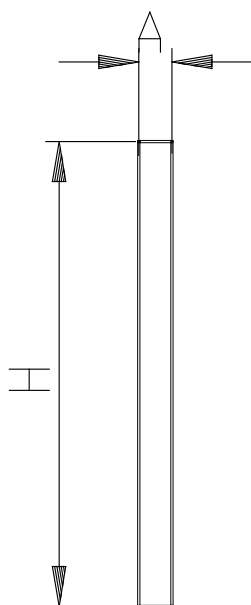


TECHNICAL DATA

Mod.	CNVL/2
------	--------

Blanking plate for manifolds - Series 4

Product code: CNVL/2



DIMENSIONS

SD	Series 4, size 1/8"
A (mm)	5
B (mm)	25.6
H (mm)	52
I (mm)	32.0
M (mm)	4.2
P (mm)	17.0
Q (mm)	17.0
R (mm)	18.0