

Blanking plate for CNVL manifolds, Mod. CNVL... - Serie 3

Product code: CNVL/4

Datasheet creation date: 07/03/2025 16:13

Check the most updated document online [click here](#)

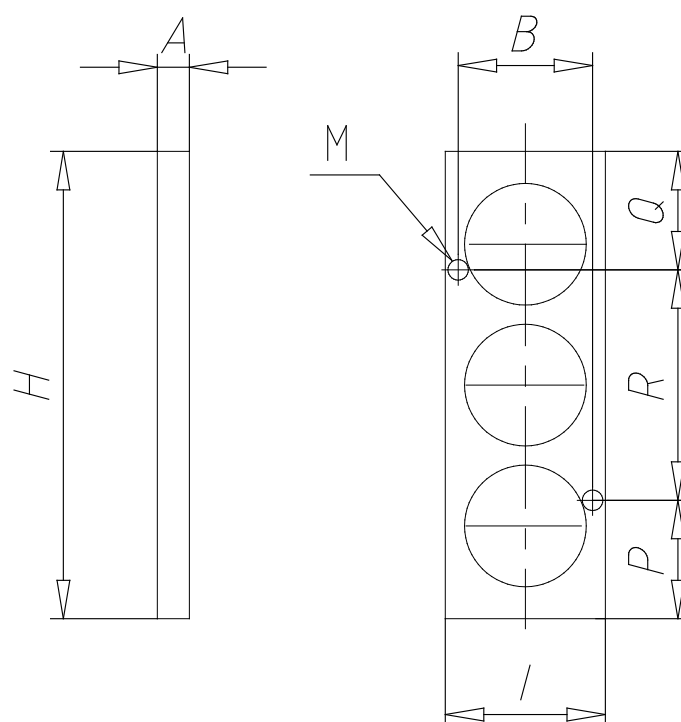


TECHNICAL DATA

Mod.	CNVL/4
SD	serie 3 da 1/4"

Blanking plate for CNVL manifolds, Mod. CNVL... - Serie 3

Product code: CNVL/4



DIMENSIONS

A (mm)	5
B (mm)	-21.0
H (mm)	73
I (mm)	25
M (mm)	3.2
P (mm)	18.5
Q (mm)	18.5
R (mm)	36.0