

Elastomer joint with terminals - Series CO

Product code: COE-05-0800-0800-A

Datasheet creation date: 07/03/2025 15:45

Check the most updated document online [click here](#)

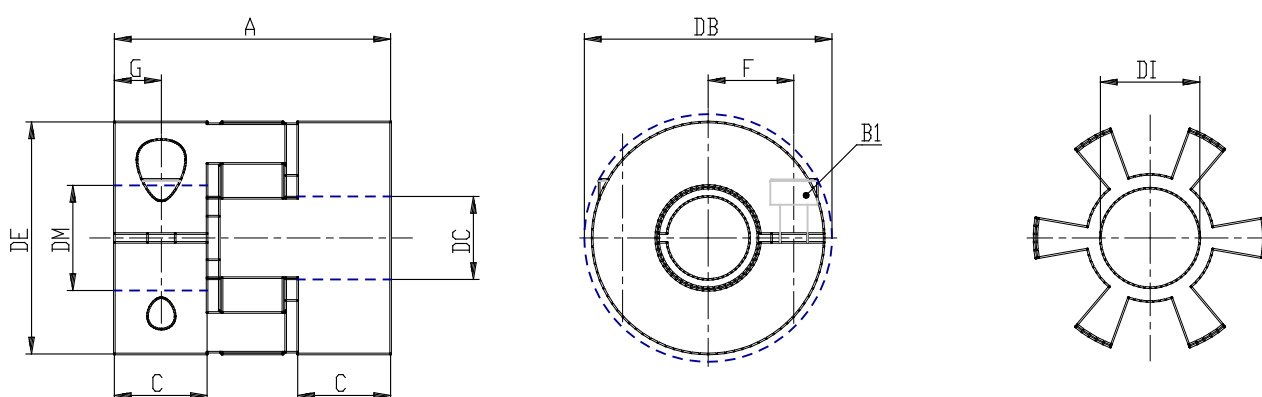


TECHNICAL DATA

Series	COE
Size	05
Diameter 1 (mm)	0800= 8.00mm
Diameter 2 (mm)	0800= 8.00mm
Hardness	A= 98 Sh A

Elastomer joint with terminals - Series CO

Product code: COE-05-0800-0800-A



DIMENSIONS

DE (mm)	25
DB (mm)	25.0
DI (mm)	10.2
A (mm)	26
C (mm)	8.0
F (mm)	8.0
G (mm)	4.0
B1 (mm)	M3 (CH2.5)
Torque (nm)	2
P (g)	20