

## Elastomer joint with terminals - Series CO

Product code: COE-10-1200-1400-A

Datasheet creation date: 07/03/2025 15:45

Check the most updated document online [click here](#)

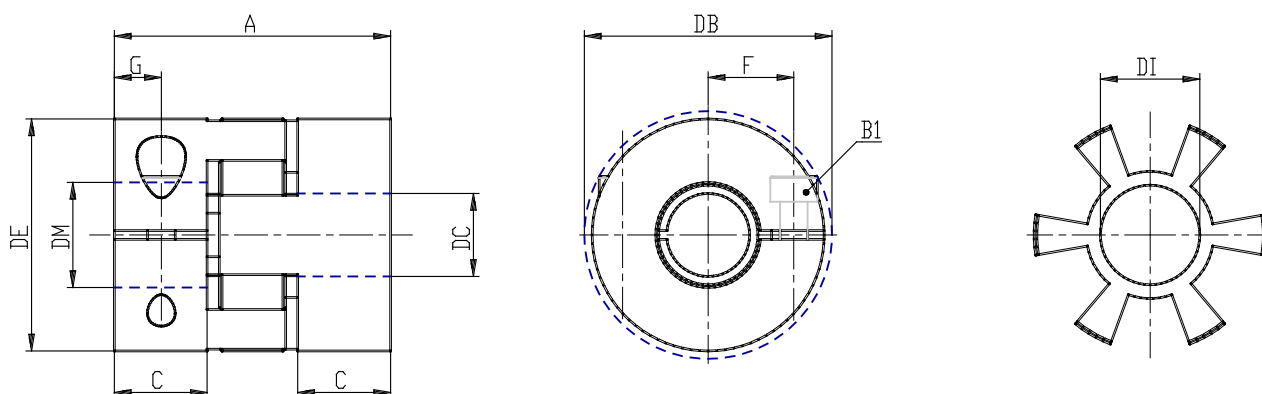


### TECHNICAL DATA

<b>Series</b>	COE
<b>Size</b>	10
<b>Diameter 1 (mm)</b>	1200= 12.00mm
<b>Diameter 2 (mm)</b>	1400= 14.00mm
<b>Hardness</b>	A= 98 Sh A

## Elastomer joint with terminals - Series CO

Product code: COE-10-1200-1400-A



### DIMENSIONS

<b>DE (mm)</b>	32
<b>DB (mm)</b>	32.0
<b>DI (mm)</b>	14.2
<b>A (mm)</b>	32
<b>C (mm)</b>	10.3
<b>F (mm)</b>	10.5
<b>G (mm)</b>	5.0
<b>B1 (mm)</b>	M4 (CH3)
<b>Torque (nm)</b>	4
<b>P (g)</b>	50