

## Elastomer joint with terminals - Series CO

Product code: COE-20-1600-1600-B

Datasheet creation date: 07/03/2025 15:45

Check the most updated document online [click here](#)

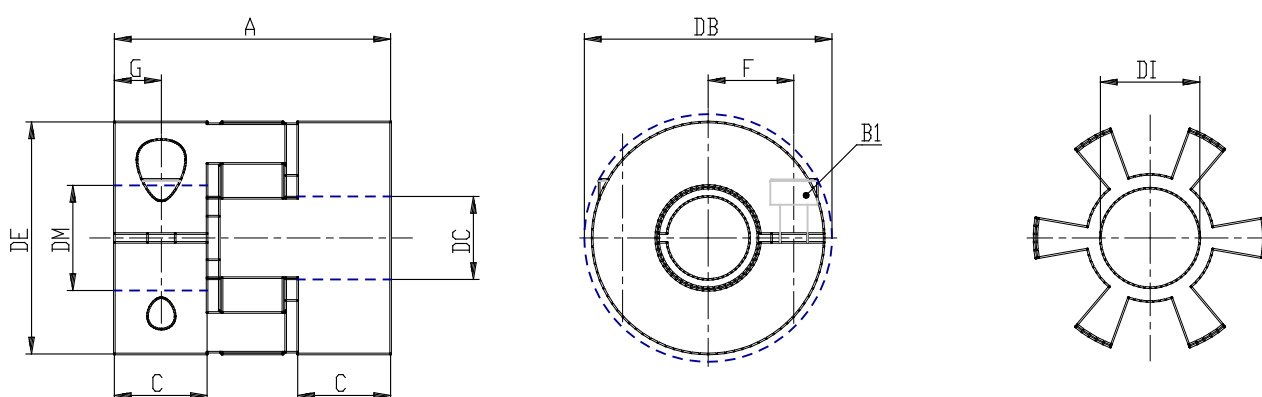


### TECHNICAL DATA

<b>Series</b>	COE
<b>Size</b>	20
<b>Diameter 1 (mm)</b>	1600= 16.00mm
<b>Diameter 2 (mm)</b>	1600= 16.00mm
<b>Hardness</b>	B= 64 Sh D (only sizes 10, 20)

## Elastomer joint with terminals - Series CO

Product code: COE-20-1600-1600-B



### DIMENSIONS

<b>DE (mm)</b>	42
<b>DB (mm)</b>	44.5
<b>DI (mm)</b>	19.2
<b>A (mm)</b>	50
<b>C (mm)</b>	17.0
<b>F (mm)</b>	15.5
<b>G (mm)</b>	8.5
<b>B1 (mm)</b>	M5 (CH4)
<b>Torque (nm)</b>	8
<b>P (g)</b>	120