

## Elastomer joint with expansion shaft - Series CO

Product code: COS-10-2000-1600-A

Datasheet creation date: 07/03/2025 15:46

Check the most updated document online [click here](#)

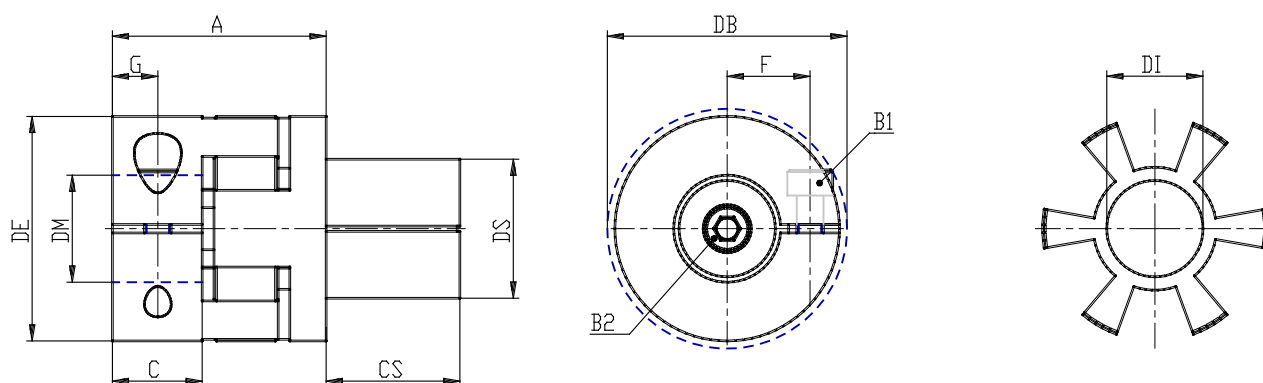


### TECHNICAL DATA

Series	COS
Size	10
Rod diameter (mm)	2000= 20.00mm
Hole diameter (mm)	1600= 16.00mm
Hardness	A= 98 Sh A

## Elastomer joint with expansion shaft - Series CO

Product code: COS-10-2000-1600-A



### DIMENSIONS

<b>DS (mm)</b>	20
<b>DE (mm)</b>	32
<b>DB (mm)</b>	32.0
<b>DI (mm)</b>	14.2
<b>A (mm)</b>	28
<b>C (mm)</b>	10.3
<b>F (mm)</b>	10.5
<b>G (mm)</b>	5.0
<b>B1</b>	M4 (CH3)
<b>P (g)</b>	50
<b>DM (mm)</b>	16.000