

## Elastomer joint with expansion shaft - Series CO

Product code: COS-60-3800-1900-A

Datasheet creation date: 07/03/2025 15:46

Check the most updated document online [click here](#)

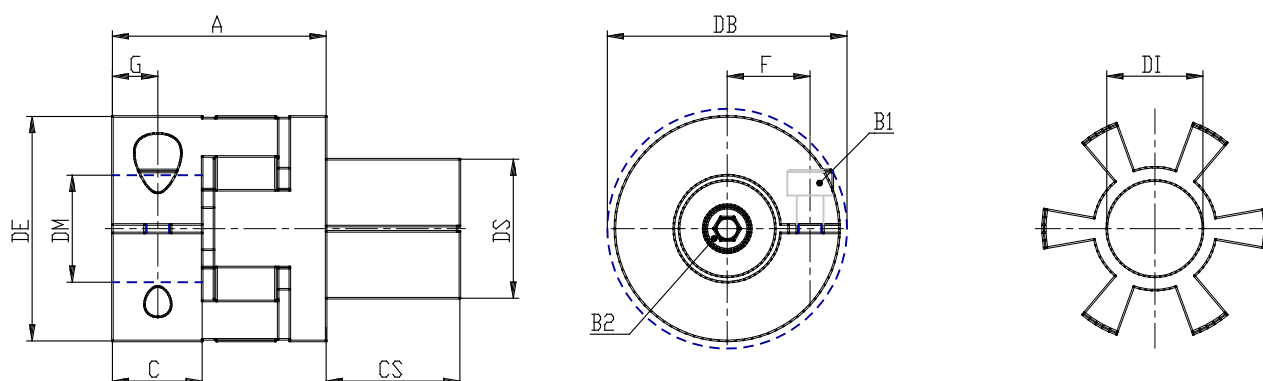


### TECHNICAL DATA

<b>Series</b>	COS
<b>Size</b>	60
<b>Rod diameter (mm)</b>	3800= 38.00mm
<b>Hole diameter (mm)</b>	1900= 19.00mm
<b>Hardness</b>	A= 98 Sh A

## Elastomer joint with expansion shaft - Series CO

Product code: COS-60-3800-1900-A



### DIMENSIONS

DS (mm)	38
DE (mm)	56
DB (mm)	57.0
DI (mm)	26.2
A (mm)	46
C (mm)	20.0
F (mm)	21.0
G (mm)	10.0
B1	M6 (CH5)
P (g)	300
DM (mm)	19.000