

Proportional solenoid valves - Series CP

Product code: CP-C721-MWX-072

Datasheet creation date: 10/03/2025 11:08

Check the most updated document online [click here](#)

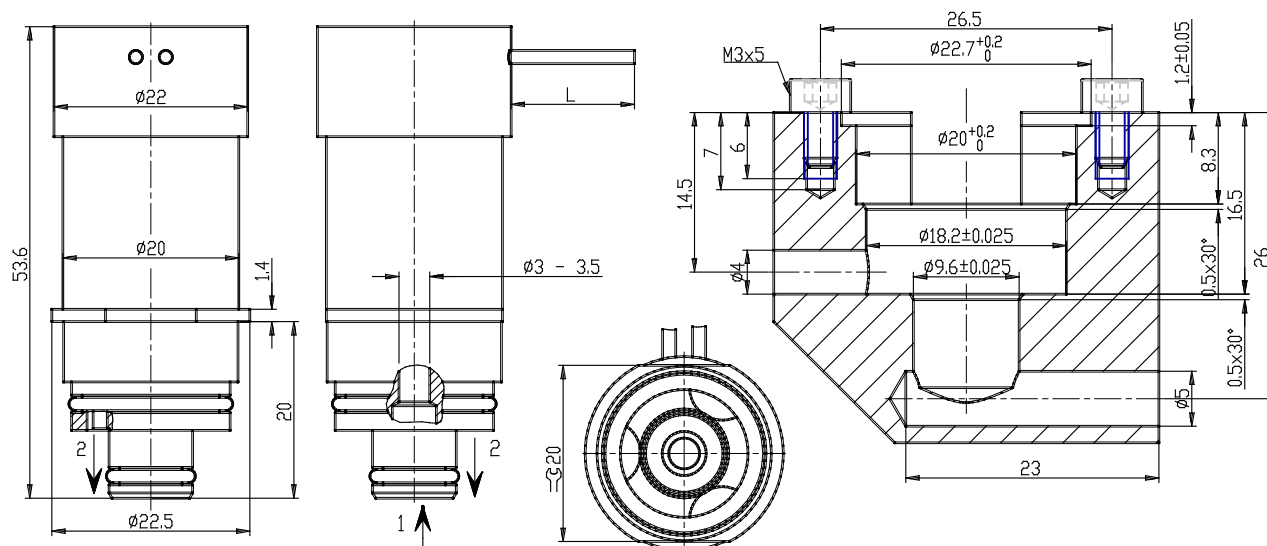


TECHNICAL DATA

Series	CP
Ports	C = cartridge
Body type	7= size 20mm
Number of ports	2 = 2-way
Function	1 = NC
Orifice diametres	M= Ø3mm
Gaskets material	W = FKM
Body material	X= Stainless steel AISI 304/EN
Overmoulding material of coil	0 = cartridge
Dimensions of the coil	7= Ø20
Voltage	2= 12V DC 4.3 W

Proportional solenoid valves - Series CP

Product code: CP-C721-MWX-072



DIMENSIONS

Series	CP
Ports	C = cartridge
Body type	7= size 20mm
Number of ports	2 = 2-way
Function	1 = NC
Orifice diametres	M= $\varnothing 3$ mm
Gaskets material	W = FKM
Body material	X= Stainless steel AISI 304/EN
Overmoulding material of coil	0 = cartridge
Dimensions of the coil	7= $\varnothing 20$
Voltage	2= 12V DC 4.3 W