

Proportional solenoid valves - Series CP

Product code: CP-C821-TWX-0P13

Datasheet creation date: 10/03/2025 11:08

Check the most updated document online [click here](#)

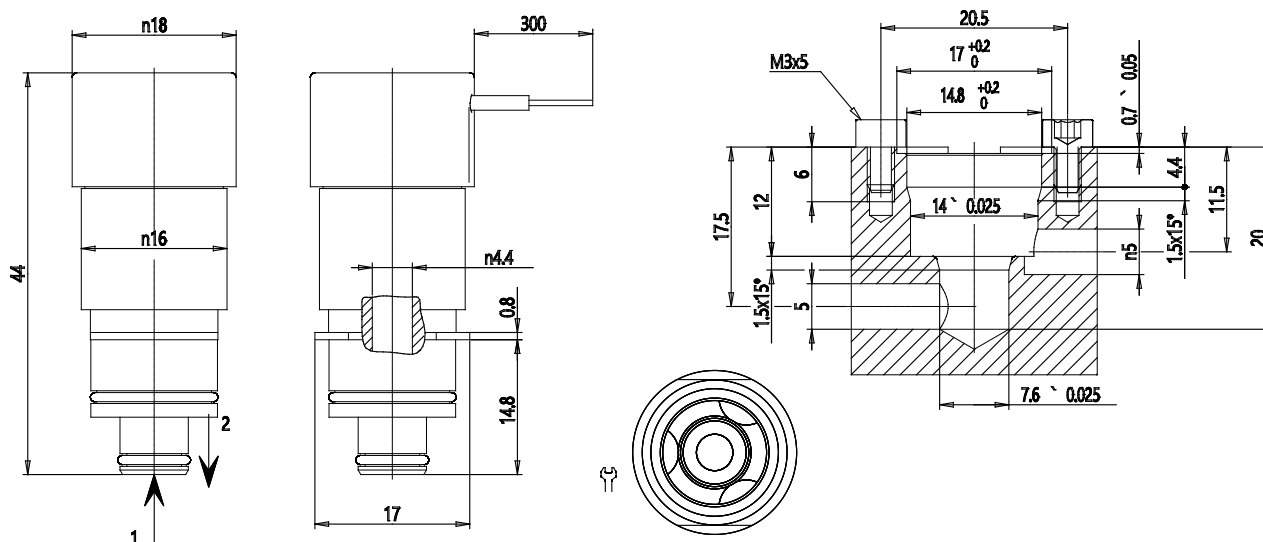


TECHNICAL DATA

Series	CP
Ports	C = cartridge
Body type	8= size 16mm pressocompensed
Number of ports	2 = 2-way
Function	1 = NC
Orifice diametres	T= Ø4.4 pressocompensed
Gaskets material	W = FKM
Body material	X= Stainless steel AISI 304/EN
Overmoulding material of coil	0 = cartridge
Dimensions of the coil	P= Ø16
Voltage	13 = 6 V DC 3 W

Proportional solenoid valves - Series CP

Product code: CP-C821-TWX-0P13



DIMENSIONS

Series	CP
Ports	C = cartridge
Body type	8= size 16mm pressocompensed
Number of ports	2 = 2-way
Function	1 = NC
Orifice diametres	T= Ø4.4 pressocompensed
Gaskets material	W = FKM
Body material	X= Stainless steel AISI 304/EN
Overmoulding material of coil	0 = cartridge
Dimensions of the coil	P= Ø16
Voltage	13 = 6 V DC 3 W