

## Proportional solenoid valves - Series CP

Product code: CP-C821-TWX-0P14

Datasheet creation date: 10/03/2025 11:08

Check the most updated document online [click here](#)

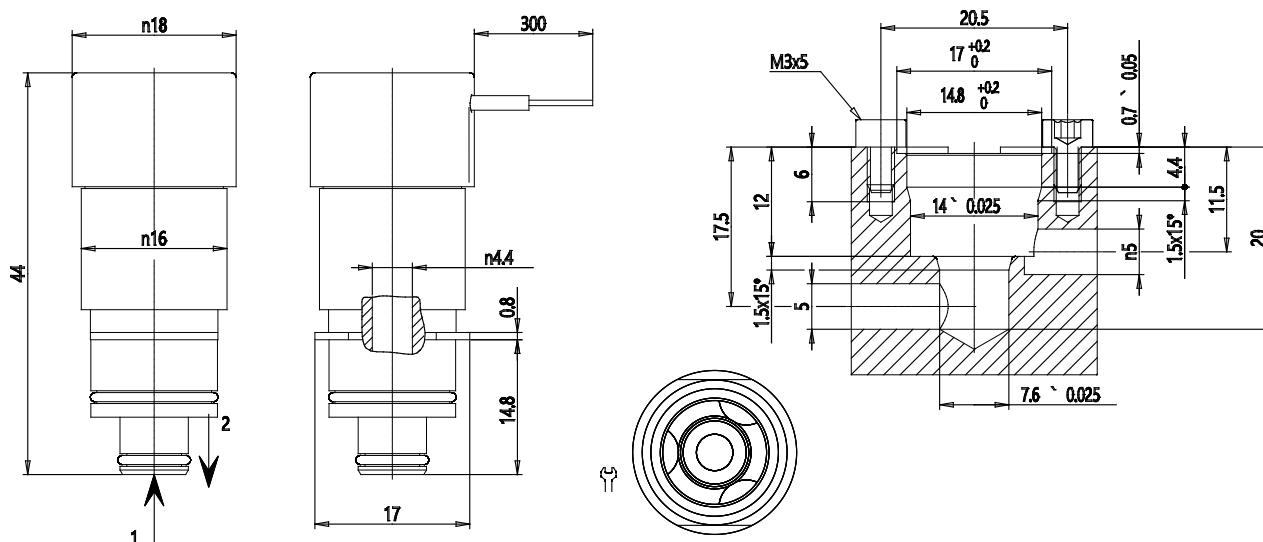


### TECHNICAL DATA

<b>Series</b>	CP
<b>Ports</b>	C = cartridge
<b>Body type</b>	8= size 16mm pressocompensed
<b>Number of ports</b>	2 = 2-way
<b>Function</b>	1 = NC
<b>Orifice diametres</b>	T= Ø4.4 pressocompensed
<b>Gaskets material</b>	W = FKM
<b>Body material</b>	X= Stainless steel AISI 304/EN
<b>Overmoulding material of coil</b>	0 = cartridge
<b>Dimensions of the coil</b>	P= Ø16
<b>Voltage</b>	14 = 12 V DC 3 W

## Proportional solenoid valves - Series CP

Product code: CP-C821-TWX-0P14



### DIMENSIONS

<b>Series</b>	CP
<b>Ports</b>	C = cartridge
<b>Body type</b>	8= size 16mm pressocompensed
<b>Number of ports</b>	2 = 2-way
<b>Function</b>	1 = NC
<b>Orifice diametres</b>	T= Ø4.4 pressocompensed
<b>Gaskets material</b>	W = FKM
<b>Body material</b>	X= Stainless steel AISI 304/EN
<b>Overmoulding material of coil</b>	0 = cartridge
<b>Dimensions of the coil</b>	P= Ø16
<b>Voltage</b>	14 = 12 V DC 3 W