

Proportional solenoid valves - Series CP

Product code: CP-C921-TWX-0710

Datasheet creation date: 10/03/2025 11:08

Check the most updated document online [click here](#)

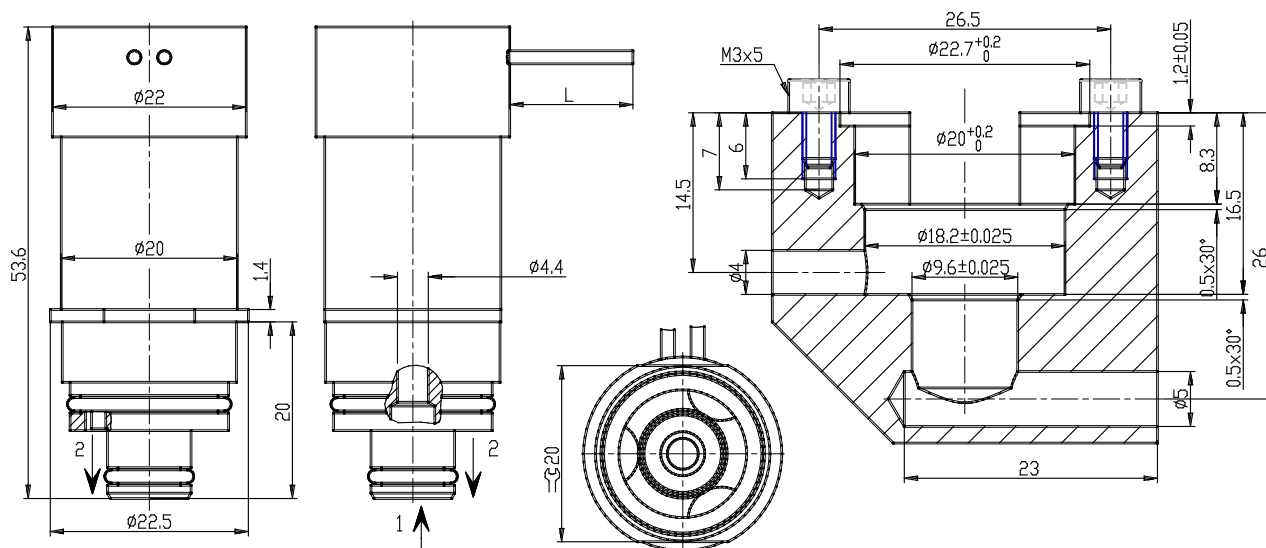


TECHNICAL DATA

Series	CP
Ports	C = cartridge
Body type	9= size 20mm pressocompensed
Number of ports	2 = 2-way
Function	1 = NC
Orifice diametres	T= Ø4.4 pressocompensed
Gaskets material	W = FKM
Body material	X= Stainless steel AISI 304/EN
Overmoulding material of coil	0 = cartridge
Dimensions of the coil	7= Ø20
Voltage	10= 6V DC 4.2 W

Proportional solenoid valves - Series CP

Product code: CP-C921-TWX-0710



DIMENSIONS

Series	CP
Ports	C = cartridge
Body type	9= size 20mm pressocompensed
Number of ports	2 = 2-way
Function	1 = NC
Orifice diametres	T= $\phi 4.4$ pressocompensed
Gaskets material	W = FKM
Body material	X= Stainless steel AISI 304/EN
Overmoulding material of coil	0 = cartridge
Dimensions of the coil	7= $\phi 20$
Voltage	10= 6V DC 4.2 W