

Subbase - Series CP

Product code: CP-S7

Datasheet creation date: 10/03/2025 10:54

Check the most updated document online [click here](#)

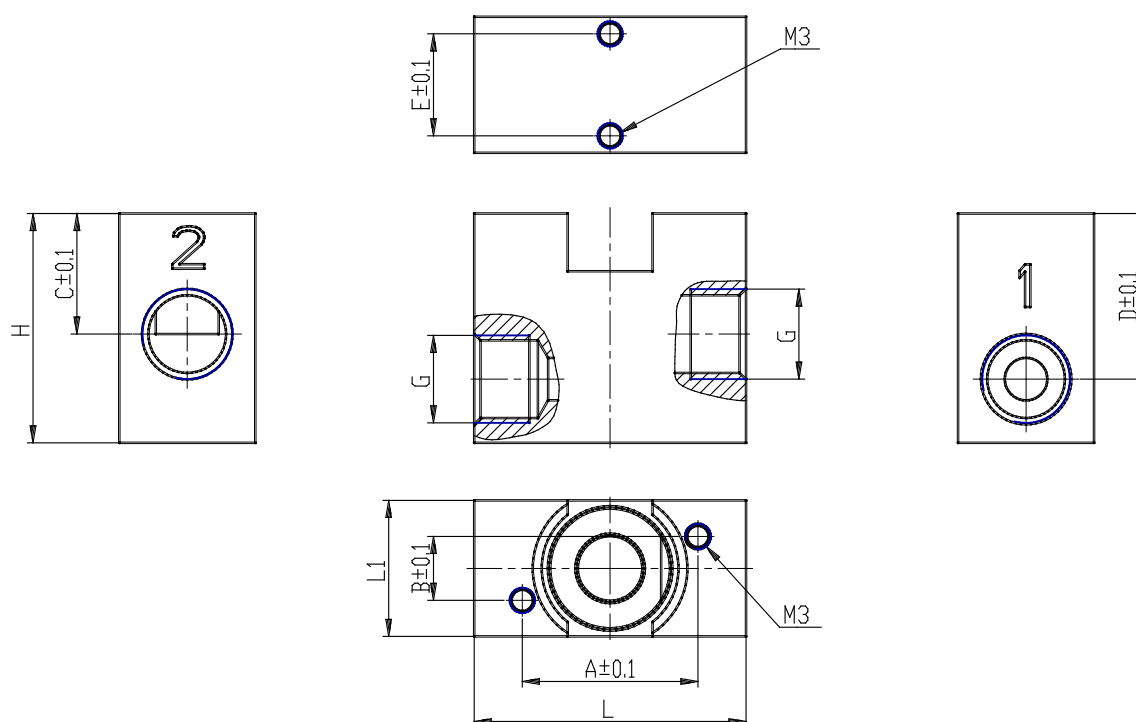


TECHNICAL DATA

Mod.	CP-S7
------	-------

Subbase - Series CP

Product code: CP-S7



DIMENSIONS

A (mm)	25.20
B (mm)	8.00
C (mm)	14.0
D (mm)	22.5
E (mm)	15
G (mm)	1/4 G
H (mm)	31.5
L (mm)	45
L1 (mm)	22