

Proportional solenoid valves - Series CP

Product code: CPN-C621-GWX-0P3

Datasheet creation date: 10/03/2025 11:08

Check the most updated document online [click here](#)

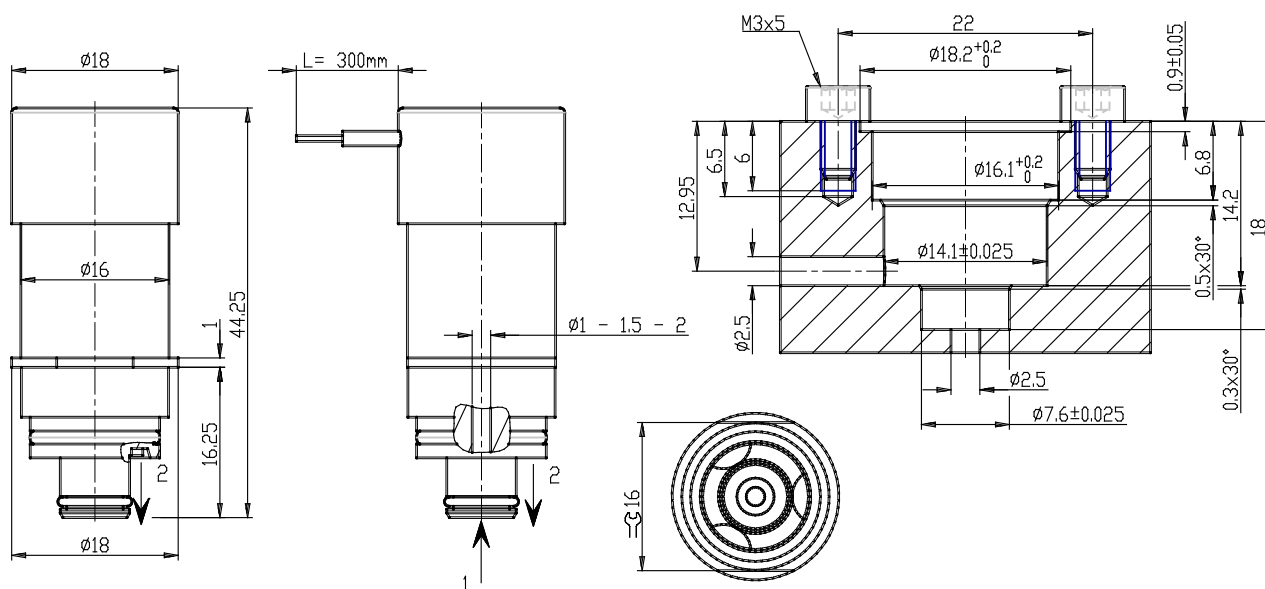


TECHNICAL DATA

Series	CPN
Ports	C = cartridge
Body type	6= size 16mm
Number of ports	2 = 2-way
Function	1 = NC
Orifice diametres	G= Ø1.5mm
Gaskets material	W = FKM
Body material	X= Stainless steel AISI 304/EN
Overmoulding material of coil	0 = cartridge
Dimensions of the coil	P= Ø16
Voltage	3= 24V DC 3.1 W

Proportional solenoid valves - Series CP

Product code: CPN-C621-GWX-0P3



DIMENSIONS

Series	CPN
Ports	C = cartridge
Body type	6= size 16mm
Number of ports	2 = 2-way
Function	1 = NC
Orifice diametres	G= $\varnothing 1.5\text{mm}$
Gaskets material	W = FKM
Body material	X= Stainless steel AISI 304/EN
Overmoulding material of coil	0 = cartridge
Dimensions of the coil	P= $\varnothing 16$
Voltage	3= 24V DC 3.1 W