

## Proportional solenoid valves - Series CP

Product code: CPN-C621-NWX-0P5

Datasheet creation date: 10/03/2025 11:08

Check the most updated document online [click here](#)

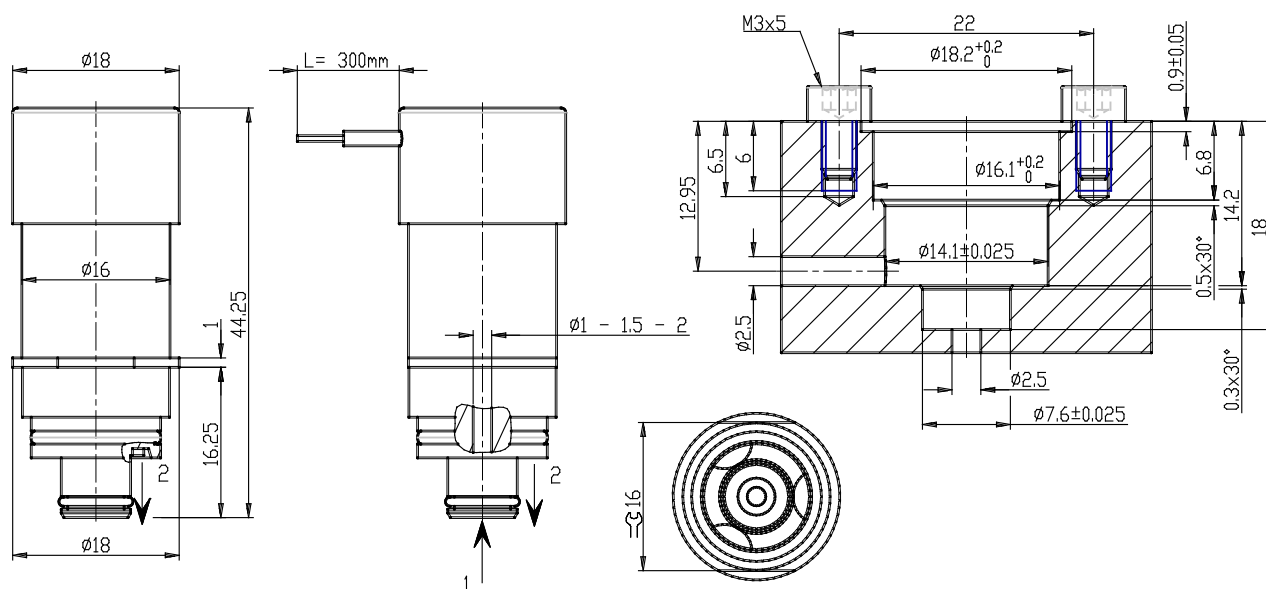


### TECHNICAL DATA

<b>Series</b>	CPN
<b>Ports</b>	C = cartridge
<b>Body type</b>	6= size 16mm
<b>Number of ports</b>	2 = 2-way
<b>Function</b>	1 = NC
<b>Orifice diametres</b>	N= Ø2mm
<b>Gaskets material</b>	W = FKM
<b>Body material</b>	X= Stainless steel AISI 304/EN
<b>Overmoulding material of coil</b>	0 = cartridge
<b>Dimensions of the coil</b>	P= Ø16
<b>Voltage</b>	5= 12V DC 3.1 W

## Proportional solenoid valves - Series CP

Product code: CPN-C621-NWX-0P5



### DIMENSIONS

<b>Series</b>	CPN
<b>Ports</b>	C = cartridge
<b>Body type</b>	6= size 16mm
<b>Number of ports</b>	2 = 2-way
<b>Function</b>	1 = NC
<b>Orifice diametres</b>	N= $\varnothing 2\text{mm}$
<b>Gaskets material</b>	W = FKM
<b>Body material</b>	X= Stainless steel AISI 304/EN
<b>Overmoulding material of coil</b>	0 = cartridge
<b>Dimensions of the coil</b>	P= $\varnothing 16$
<b>Voltage</b>	5= 12V DC 3.1 W