

## Connector - Mod. CS

Product code: CS-2

Datasheet creation date: 07/03/2025 14:30

Check the most updated document online [click here](#)

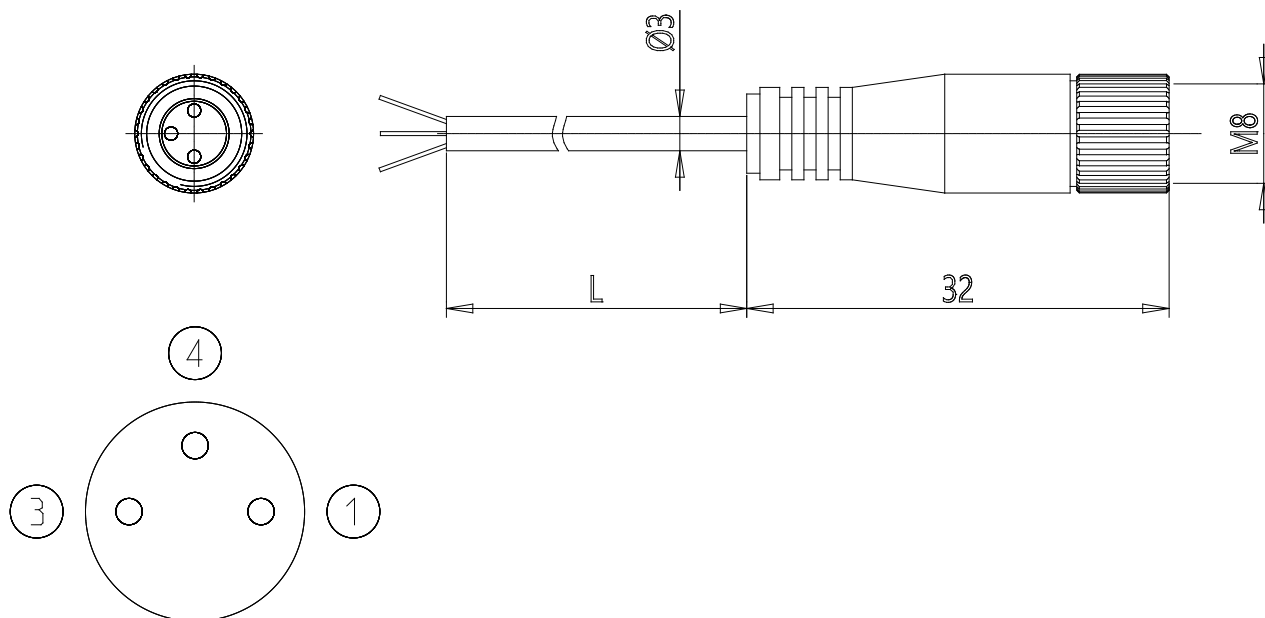


### TECHNICAL DATA

Mod.	CS-2
------	------

## Connector - Mod. CS

Product code: CS-2



### **DIMENSIONS**

Lenght (mt)	2
-------------	---