

Electrical shunt - Mod. CS-AA08EC

Product code: CS-AA08EC

Datasheet creation date: 10/03/2025 10:54

Check the most updated document online [click here](#)

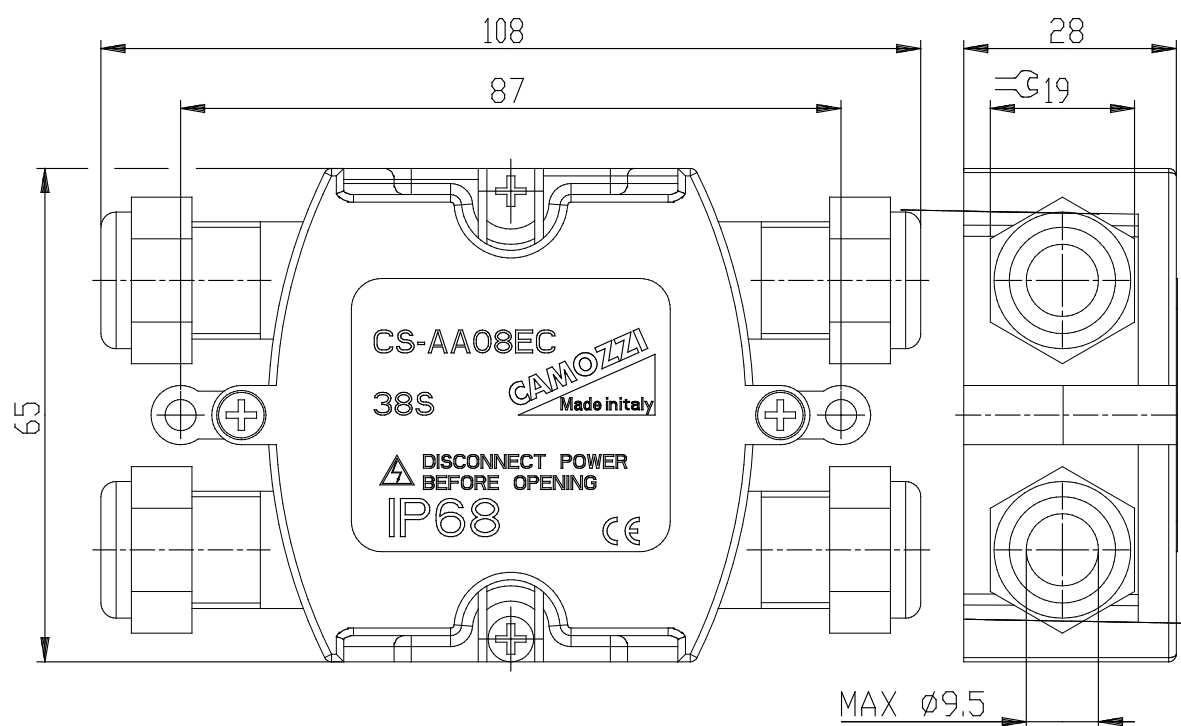


TECHNICAL DATA

Mod.	CS-AA08EC
------	-----------

Electrical shunt - Mod. CS-AA08EC

Product code: CS-AA08EC



DIMENSIONS

Mod.	CS-AA08EC
------	-----------