

Cavo per switch ed eiettori - Mod. CS-DF/DR04EG

Product code: CS-DF04EG-E200

Datasheet creation date: 07/03/2025 16:12

Check the most updated document online [click here](#)

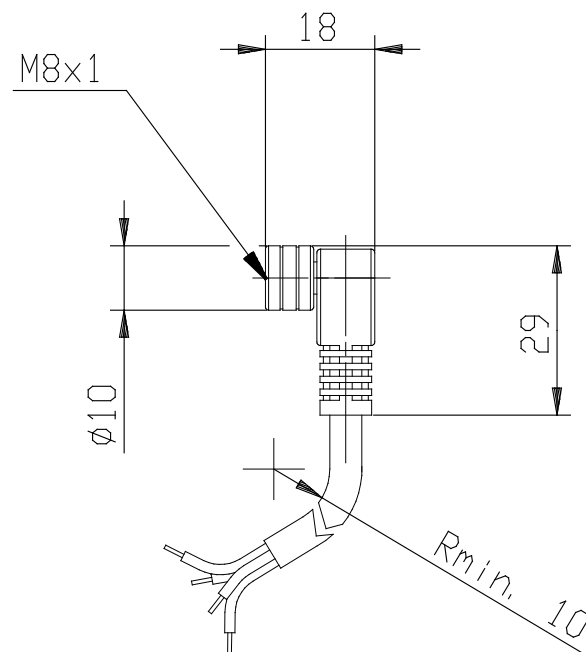
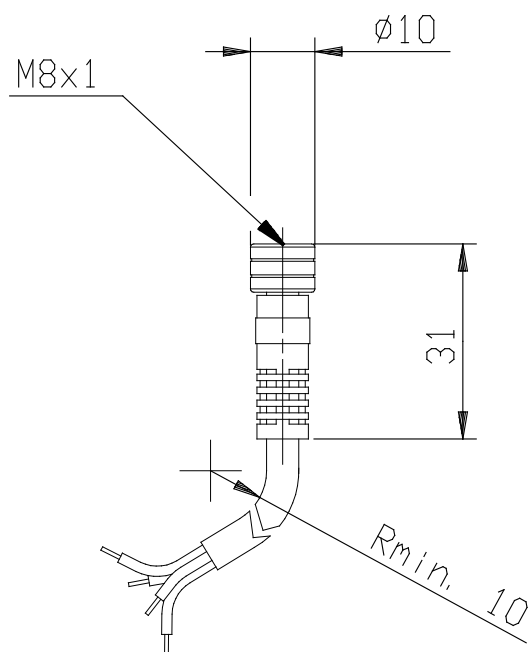


■ TECHNICAL DATA

(mm)	CS-DF04EG-E200
------	----------------

Cavo per switch ed eiettori - Mod. CS-DF/DR04EG

Product code: CS-DF04EG-E200



DIMENSIONS

(mm)	CS-DF04EG-E200
------	----------------