

## - 3 pin male M8 wiring connector for digital input modules

Product code: CS-DM03HB

Datasheet creation date: 07/03/2025 16:12

Check the most updated document online [click here](#)

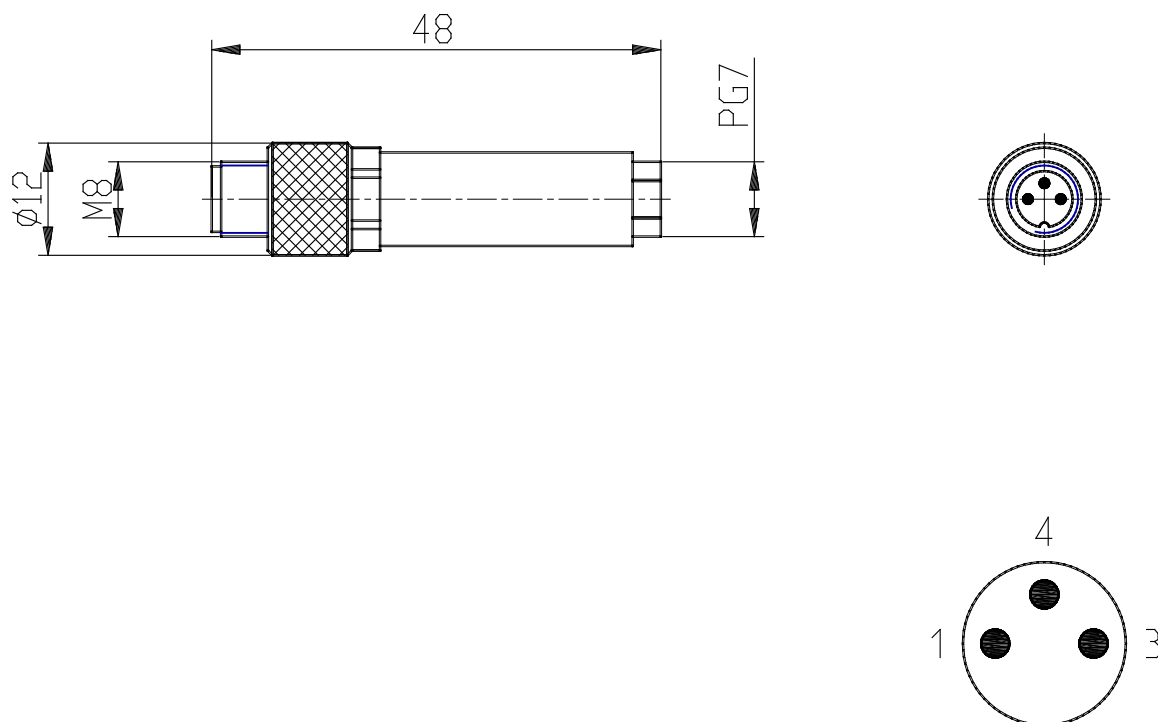


### ■ TECHNICAL DATA

<b>Mod. (mm)</b>	CS-DM03HB
<b>Description</b>	For wiring
<b>Connector type</b>	Straight
<b>Connection (mm)</b>	M8 3 pin male

## - 3 pin male M8 wiring connector for digital input modules

Product code: CS-DM03HB



### DIMENSIONS

<b>Mod. (mm)</b>	CS-DM03HB
<b>Description</b>	For wiring
<b>Connector type</b>	Straight
<b>Connection (mm)</b>	M8 3 pin male