

## Cavo per switch ed eiettori - Mod. CS-DF/DR04EG

Product code: CS-DR04EG-E500

Datasheet creation date: 07/03/2025 16:12

Check the most updated document online [click here](#)

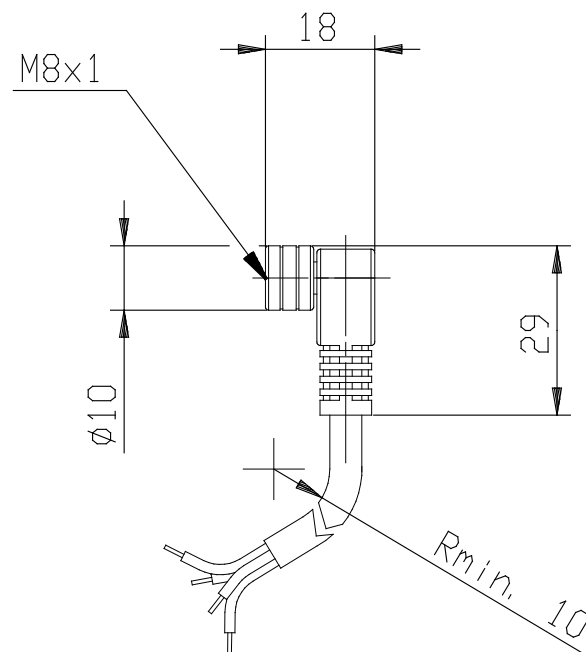
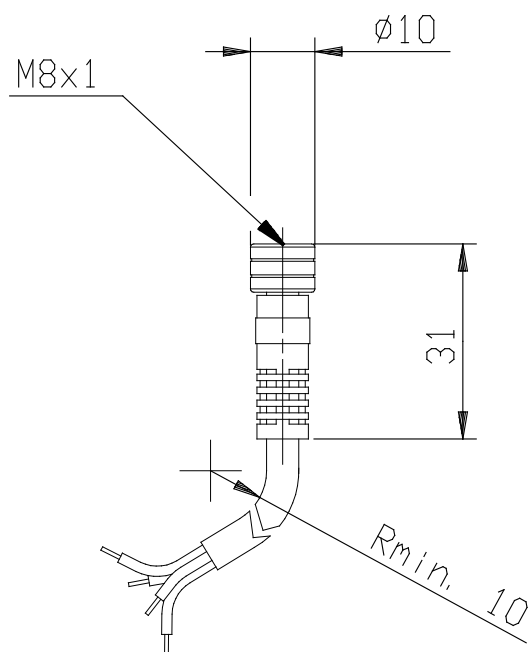


### ■ TECHNICAL DATA

(mm)	CS-DR04EG-E500
------	----------------

## Cavo per switch ed eiettori - Mod. CS-DF/DR04EG

Product code: CS-DR04EG-E500



### DIMENSIONS

(mm)	CS-DR04EG-E500
------	----------------