

3-wire extension with M8 3-pin male / female connector - Mod. CS-DW03HB-C250

Product code: CS-DW03HB-C250

Datasheet creation date: 07/03/2025 16:11

Check the most updated document online [click here](#)

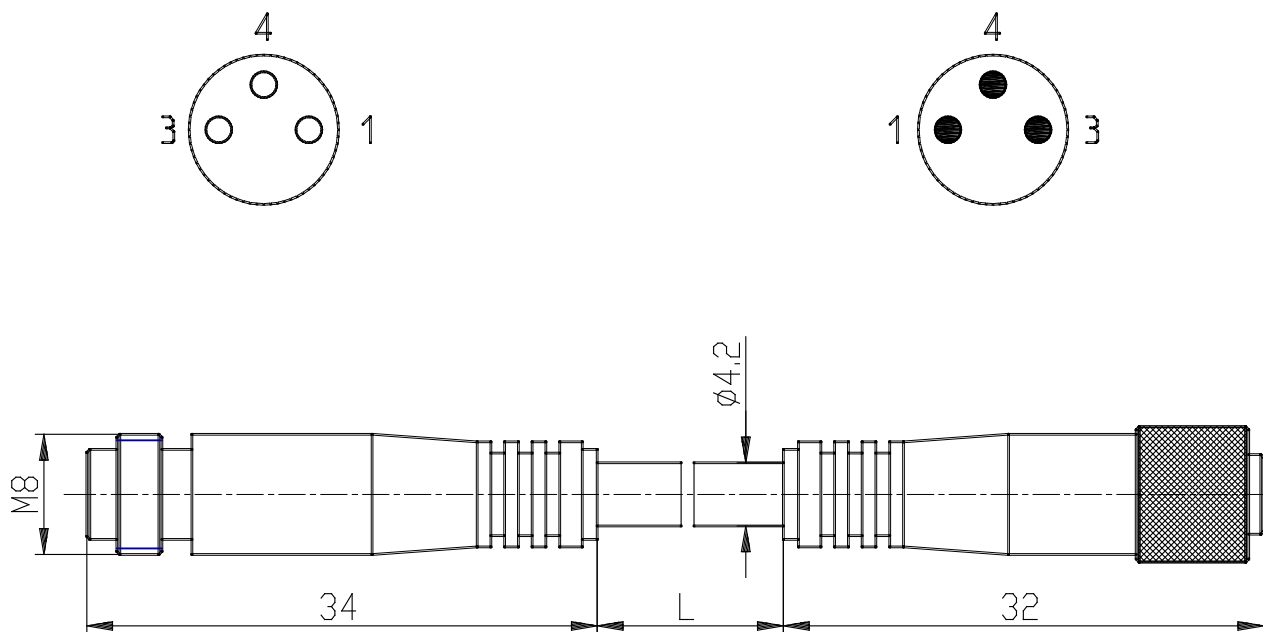


TECHNICAL DATA

Mod.	CS-DW03HB-C250
------	----------------

3-wire extension with M8 3-pin male / female connector - Mod. CS-DW03HB-C250

Product code: CS-DW03HB-C250



DIMENSIONS

Lenght (mt)	2.5
-------------	-----