

## 3-wire extension with M8 3-pin male / female connector - Mod. CS-DW03HB-C250

Product code: CS-DW03HB-C500

Datasheet creation date: 07/03/2025 16:11

Check the most updated document online [click here](#)

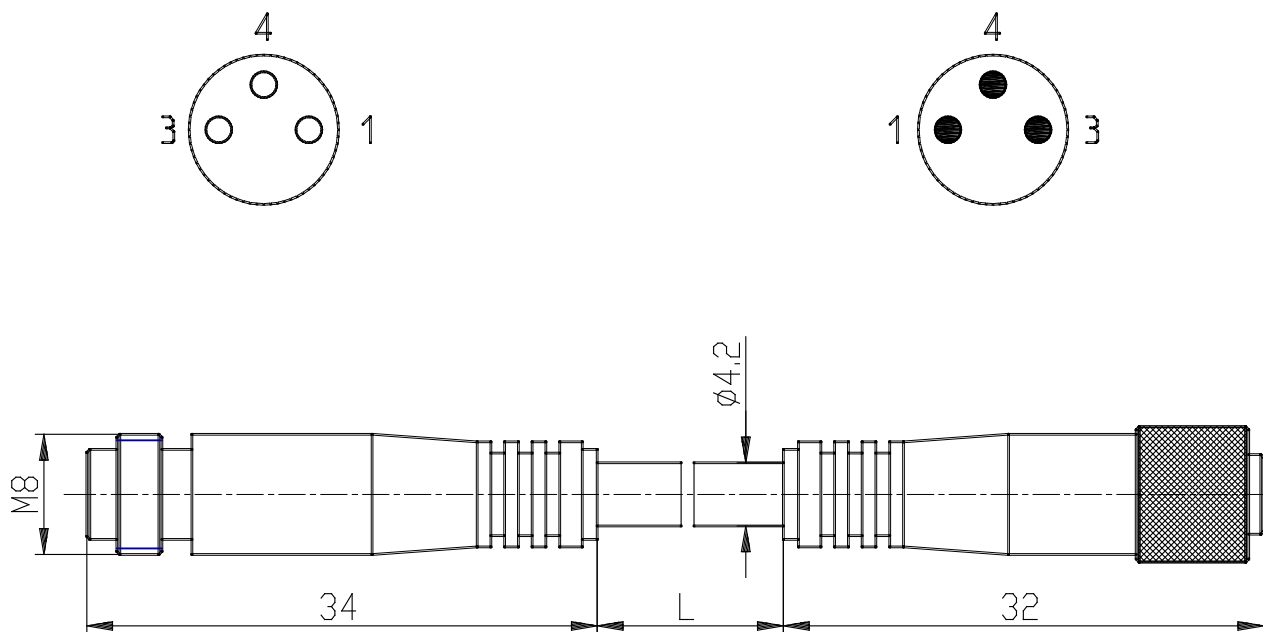


### TECHNICAL DATA

Mod.	CS-DW03HB-C500
------	----------------

### 3-wire extension with M8 3-pin male / female connector - Mod. CS-DW03HB-C250

Product code: CS-DW03HB-C500



#### **DIMENSIONS**

Lenght (mt)	5.0
-------------	-----