

Straight female M12 connectors for Bus-IN - Mod. CS-MF/LF05HC

Product code: CS-LF05HC

Datasheet creation date: 07/03/2025 16:12

Check the most updated document online [click here](#)

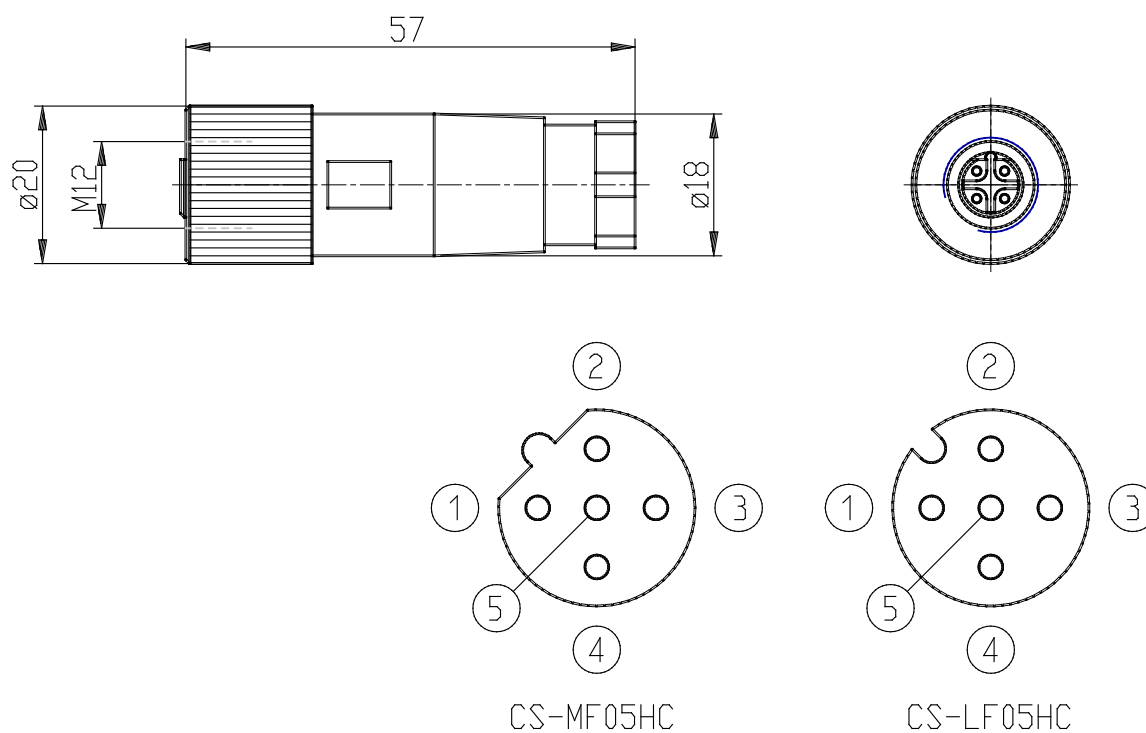


TECHNICAL DATA

Mod.	CS-LF05HC
Description	For wiring
Type of connector	M12 A 5 pin female
Type of connection (mm)	CANopen - DeviceNet (M12)

Straight female M12 connectors for Bus-IN - Mod. CS-MF/LF05HC

Product code: CS-LF05HC



DIMENSIONS

Mod.	CS-LF05HC
Description	For wiring
Type of connector	M12 A 5 pin female
Type of connection (mm)	CANopen - DeviceNet (M12)