

## Straight male M12 connectors for Bus-OUT - Mod. CS-LM12HC

Product code: CS-LM12HC

Datasheet creation date: 07/03/2025 14:31

Check the most updated document online [click here](#)

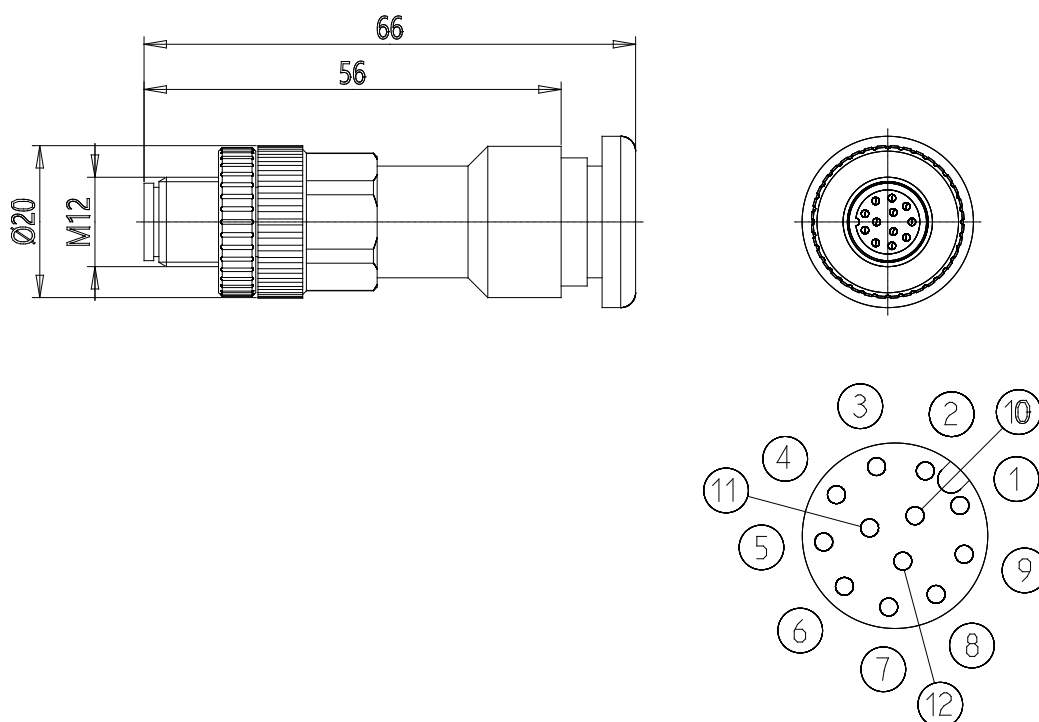


### TECHNICAL DATA

<b>Mod.</b>	CS-LM12HC
<b>Description</b>	For wiring
<b>Type of connector</b>	Straight
<b>Type of connection</b>	M 12 - 12 poli maschio

## Straight male M12 connectors for Bus-OUT - Mod. CS-LM12HC

Product code: CS-LM12HC



### DIMENSIONS

<b>Mod.</b>	CS-LM12HC
<b>Description</b>	For wiring
<b>Type of connector</b>	Straight
<b>Type of connection</b>	M 12 - 12 poli maschio