

## Angular connector for power supply - Mod. CS-LR

Product code: CS-LR04HB

Datasheet creation date: 07/03/2025 16:12

Check the most updated document online [click here](#)

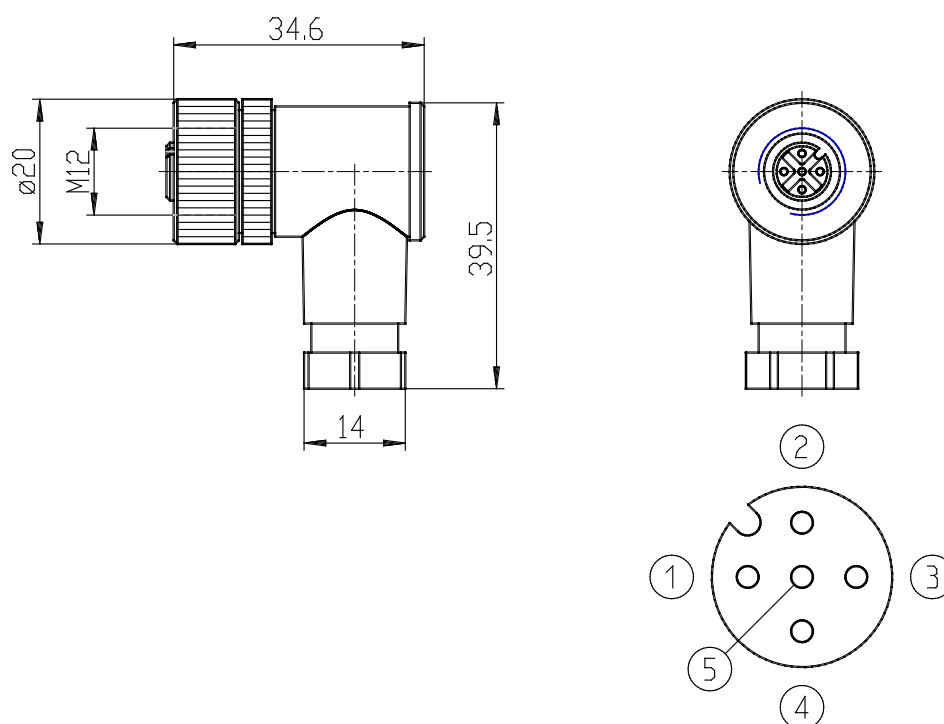


### TECHNICAL DATA

<b>Mod.</b>	CS-LR04HB
<b>Description</b>	For wiring
<b>Type of connector</b>	90°
<b>Type of connection</b>	M12 A 4 pin female - Pin 5 is not connected

## Angular connector for power supply - Mod. CS-LR

Product code: CS-LR04HB



### DIMENSIONS

<b>Mod.</b>	CS-LR04HB
<b>Description</b>	For wiring
<b>Type of connector</b>	90°
<b>Type of connection</b>	M12 A 4 pin female - Pin 5 is not connected